



ROBERT JOHNSON
architects
1808 West Morehead St.
Charlotte, NC 28208
T 704 / 342.1058
F 704 / 342.3043

STAMPS



CONSULTANT



WAVE ENGINEERING
1302 S. VINT ST. SUITE 110
CHARLOTTE, NC 28205
980.639.7778
INFORMATION@WAVEENGINEERING.COM
N.C. LICENSE #041161
WAVE PROJECT #60078

ALBEMARLE
SHOPS

CHARLOTTE, NC

PROJECT NUMBER 1913
ISSUE DATE
FOR CONSTRUCTION ONLY 07.01.20

DRAWING DATA

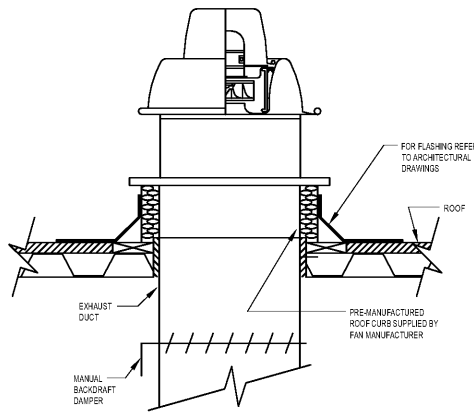
DRAWN BY: BRD/MJS
CHECKED BY:

SHEET TITLE
MECHANICAL
PLAN AND
DETAILS

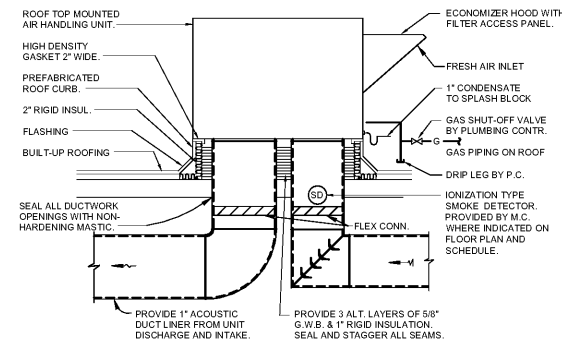
This drawing is the property of ROBERT JOHNSON ARCHITECTS, Inc. and is not to be reproduced or copied in whole or in part. It is only to be used for the project and site specifically identified herein and is not to be used on any other project. It is to be returned upon request.

SHEET NUMBER

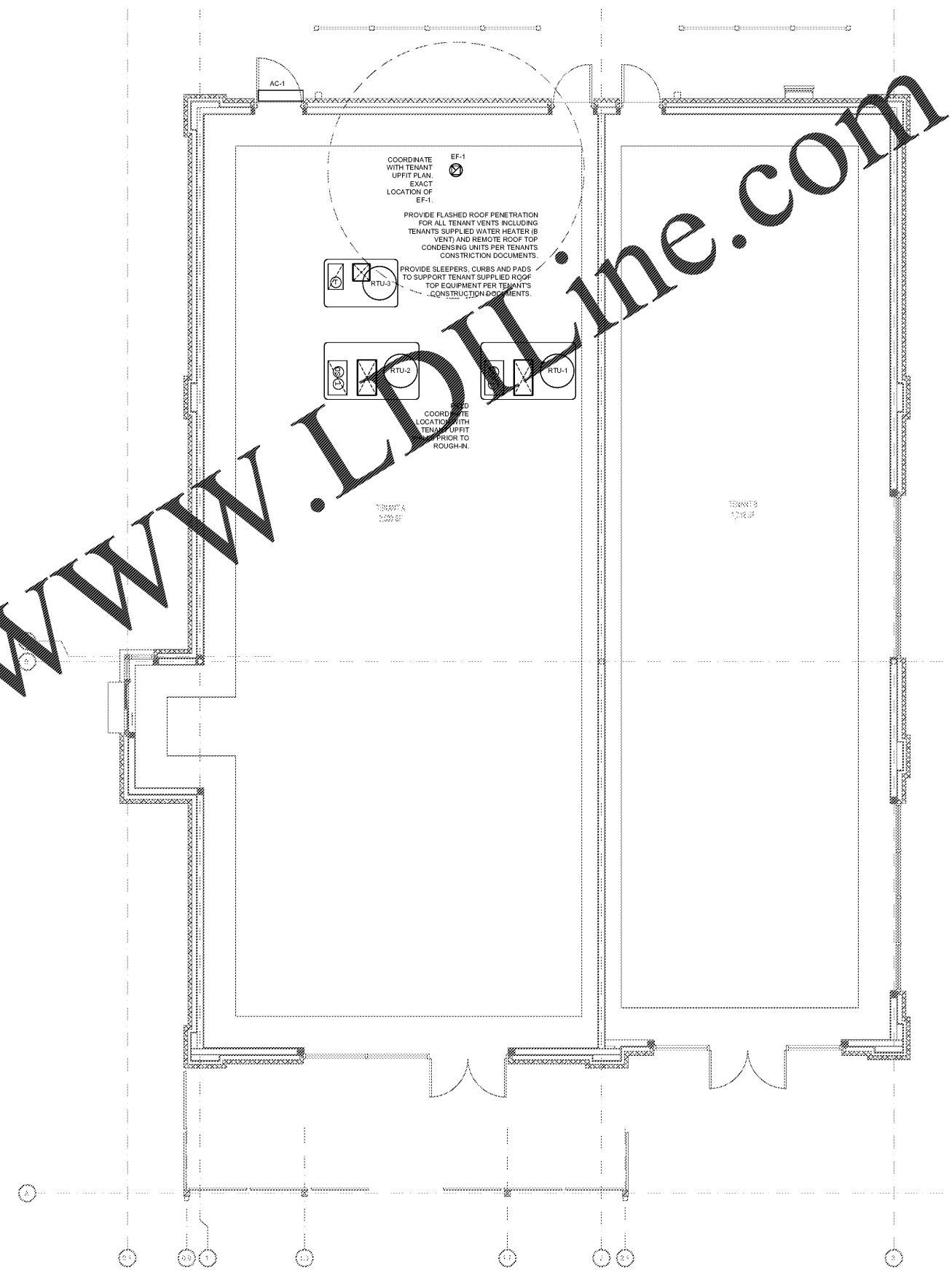
M-1.1



2 ROOF EXHAUST FAN DETAIL
M-1.1 NOT TO SCALE



3 ROOF TOP UNIT DETAIL
M-1.1 NOT TO SCALE



1 MECHANICAL PLAN
M-1.1 SCALE: 1/4" = 1'-0"

Order Plans @ www.LDOnline.com