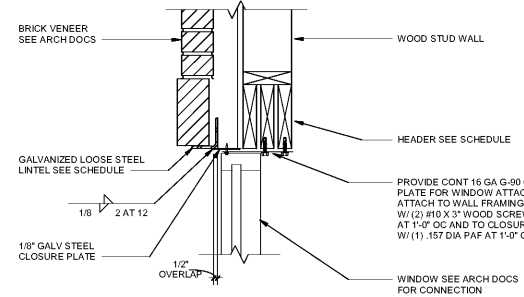


- NOTES:
- SEE PLANSCHED FOR ALL INFO NOT SHOWN.
 - EXTEND HORIZ BARS OF EACH BEAM TO OTHER SIDE OF INTERSECTING FOOTING.

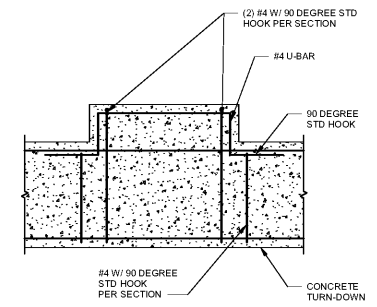
TYPICAL FOOTING CORNER DETAIL PLAN VIEW

OPENING = "L" (FT)	STEEL LINTEL SIZE	BEARING LENGTH
0'-0" < L ≤ 4'-8"	L3 1/2 X 3 1/2 X 1/4	6" MIN EA END
4'-0" < L ≤ 6'-0"	L4 X 3 1/2 X 1/4	6" MIN EA END
6'-1" < L ≤ 7'-4"	L5 X 3 1/2 X 1/4	6" MIN EA END
7'-5" < L ≤ 8'-8"	L6 X 3 1/2 X 5/16	6" MIN EA END
8'-9" < L ≤ 10'-0"	L6 X 3 1/2 X 3/8	6" MIN EA END

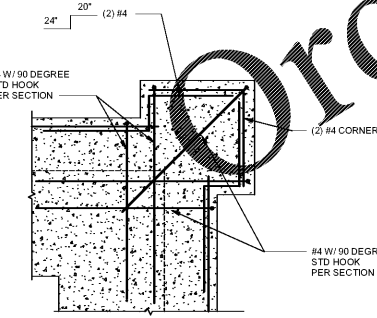


- NOTES:
- PROVIDE MINIMUM 6" BEARING EACH END OF LINTEL
 - ALL EXTERIOR LINTELS SHALL BE HOT D'P GALV
 - ALL ANGLES LONG LEG VERT UNLESS NOTED BY (°) WHEN NOTED BY (°) USE LONG LEG HORIZ

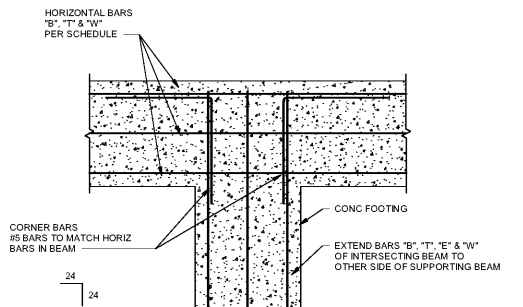
TYPICAL STEEL VENEER LINTEL DETAIL (LOOSE LINTEL)



TYPICAL SLAB BUMP-OUT REINFORCING DETAIL

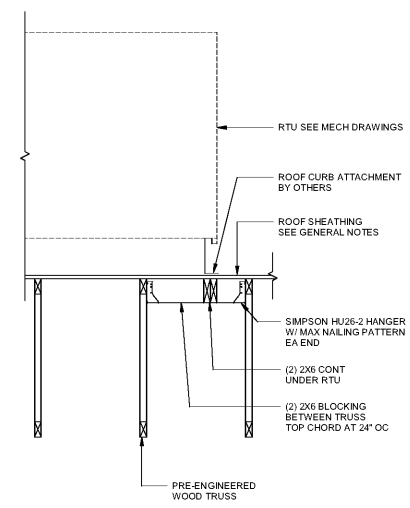


TYPICAL SLAB CORNER BUMP-OUT REINFORCING DETAIL

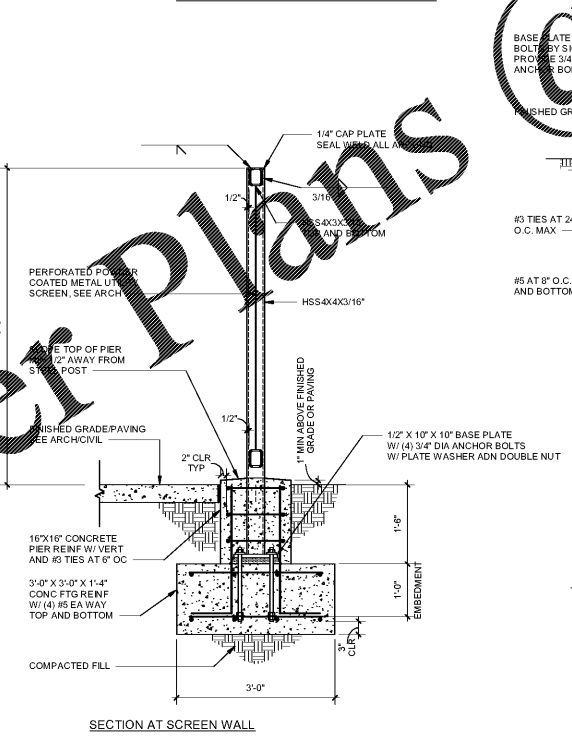


- NOTES:
- SEE PLANSCHED FOR ALL INFO NOT SHOWN.
 - EXTEND HORIZ BARS OF EACH BEAM TO OTHER SIDE OF INTERSECTING FOOTING.

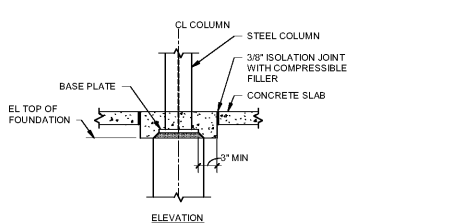
TYPICAL FOOTING INTERSECTION DETAIL PLAN VIEW



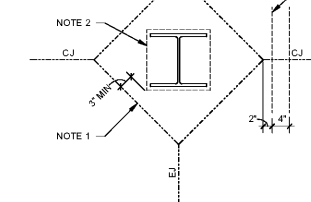
TYPICAL ROOF TOP UNIT SUPPORT DETAIL



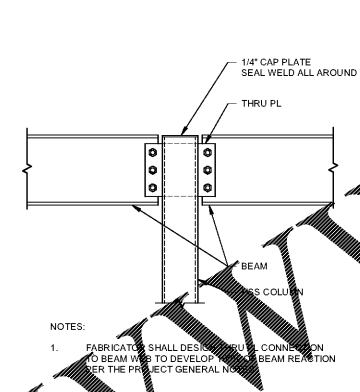
SECTION AT SCREEN WALL



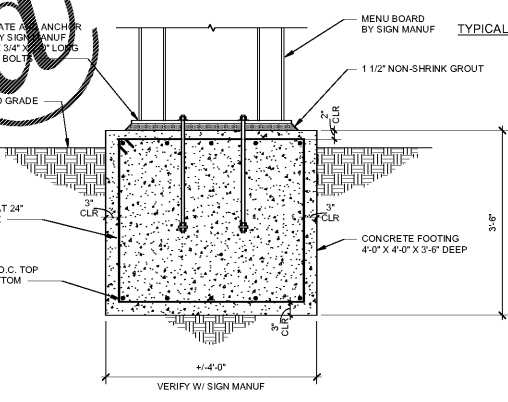
- NOTES:
- 3/8" ISOLATION JOINT WITH COMPRESSIBLE FILLER
 - BASE PLATE & ANCHOR BOLTS BELOW PER TYPICAL DETAILS



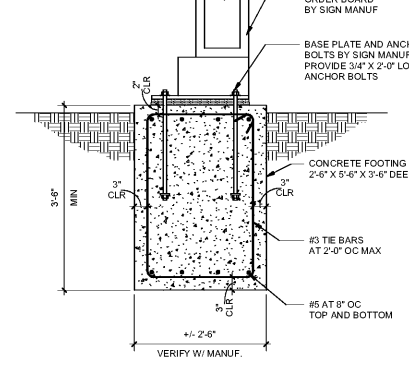
TYPICAL ISOLATION JOINT AT STEEL COLUMN DETAIL



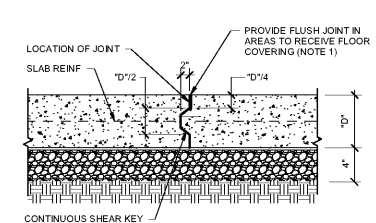
TYPICAL WOOD BEAM TO HSS COLUMN CONNECTION DETAIL



MENU ORDER BOARD FOUNDATION DETAIL

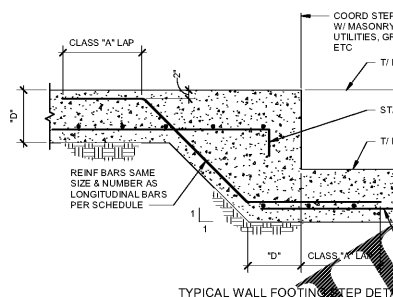


ORDER POINT/CABINET SIGN FOUNDATION DETAIL

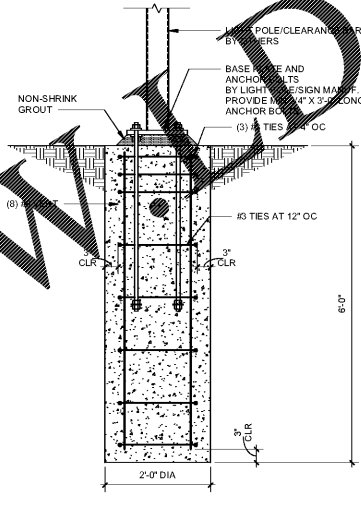


- NOTES:
- PROVIDE 1/8" TOOLED EDGE WITH SEALANT AT EXPOSED OR EXTERIOR JOINTS OR WHERE REQUIRED PER ARCH DOCS.

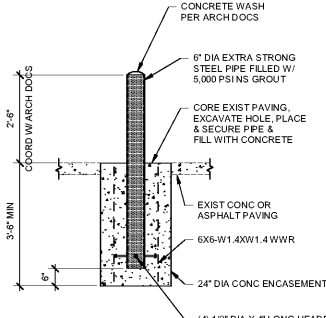
TYPICAL CONSTRUCTION JOINT IN SLAB ON GRADE DETAIL



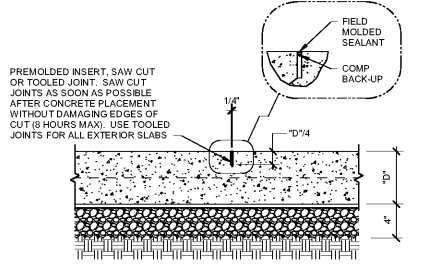
TYPICAL WALL FOOTING DETAIL



TYPICAL 28'-0" TALL LIGHT POLE/CLEARANCE BAR DETAIL

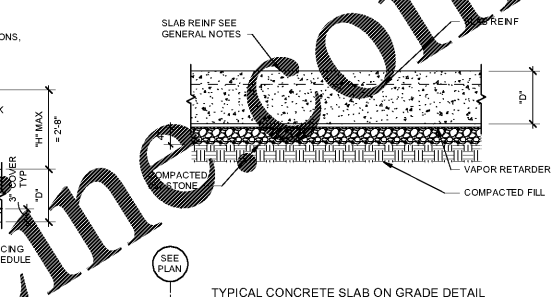


TYPICAL PIPE BOLLARD DETAIL

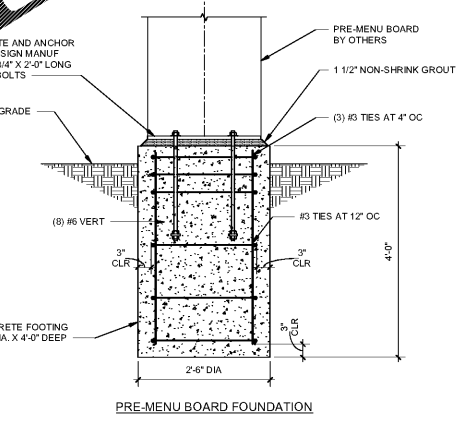


- PREMOLDED INSERT SAW CUT OR TOOLED JOINT. SAW CUT JOINTS AS SOON AS POSSIBLE AFTER CONCRETE PLACEMENT WITHOUT DAMAGING EDGES OF CUT (8 HOURS MAX). USE TOOLED JOINTS FOR ALL EXTERIOR SLABS.

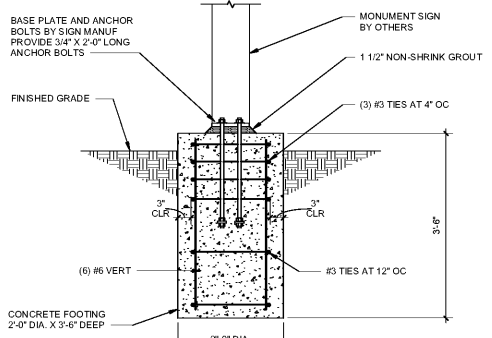
TYPICAL CONTRACTION JOINT IN SLAB ON GRADE DETAIL



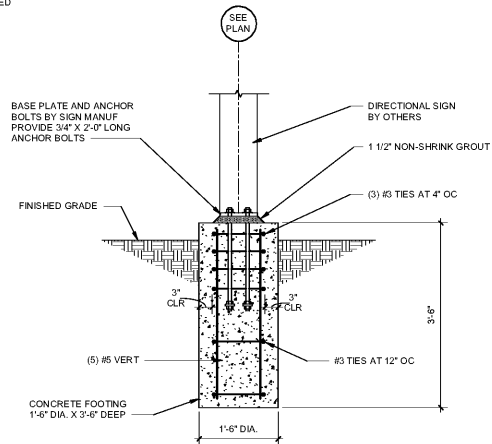
TYPICAL CONCRETE SLAB ON GRADE DETAIL



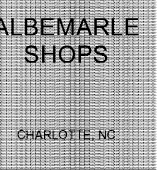
PRE-MENU BOARD FOUNDATION



MONUMENT SIGN FOUNDATION



DIRECTIONAL SIGN FOUNDATION



PROJECT NUMBER 1943
ISSUE DATE
FOR CONSTRUCTION ONLY 07.01.20

DRAWING DATA
DRAWN BY: JMK
CHECKED BY: JPN

TYPICAL DETAILS

This drawing is the property of ROBERT JOHNSON ARCHITECTS, INC. and is not to be reproduced or copied in whole or in part. It is only to be used for the project and site specifically identified herein and is not to be used on any other project. It is to be returned upon request.

S4.01