

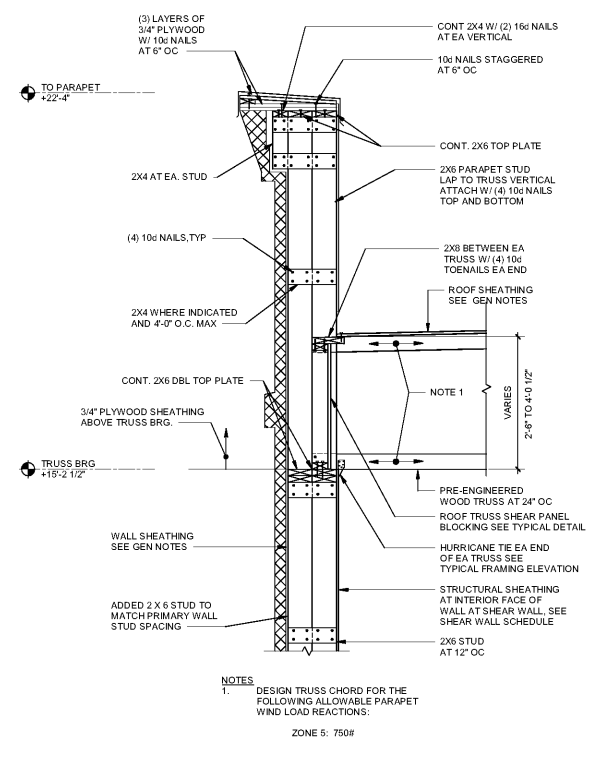


ROBERT JOHNSON
architects
1808 West Morehead St
Charlotte, NC 28208
T 704 / 342.1058
F 704 / 342.3043

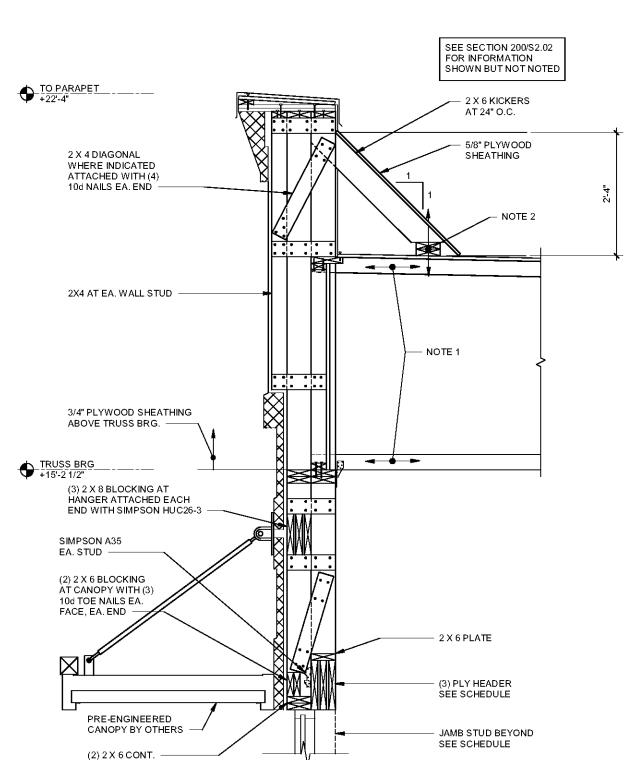
STAMPS



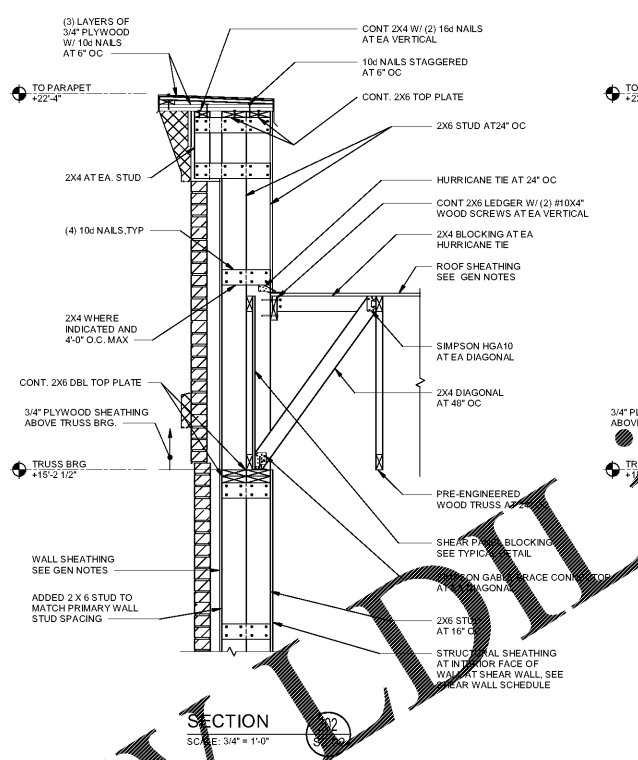
CONSULTANT



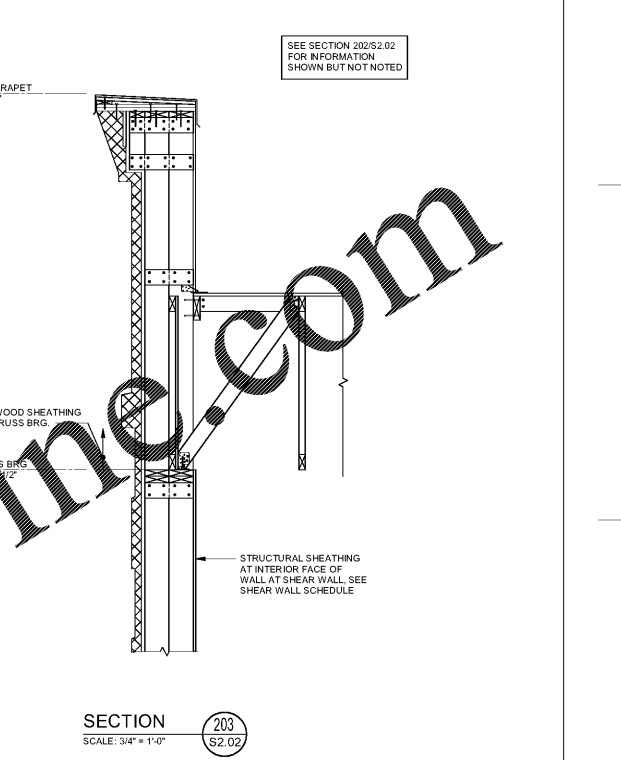
SECTION 200
SCALE: 3/4" = 1'-0"
S2.02



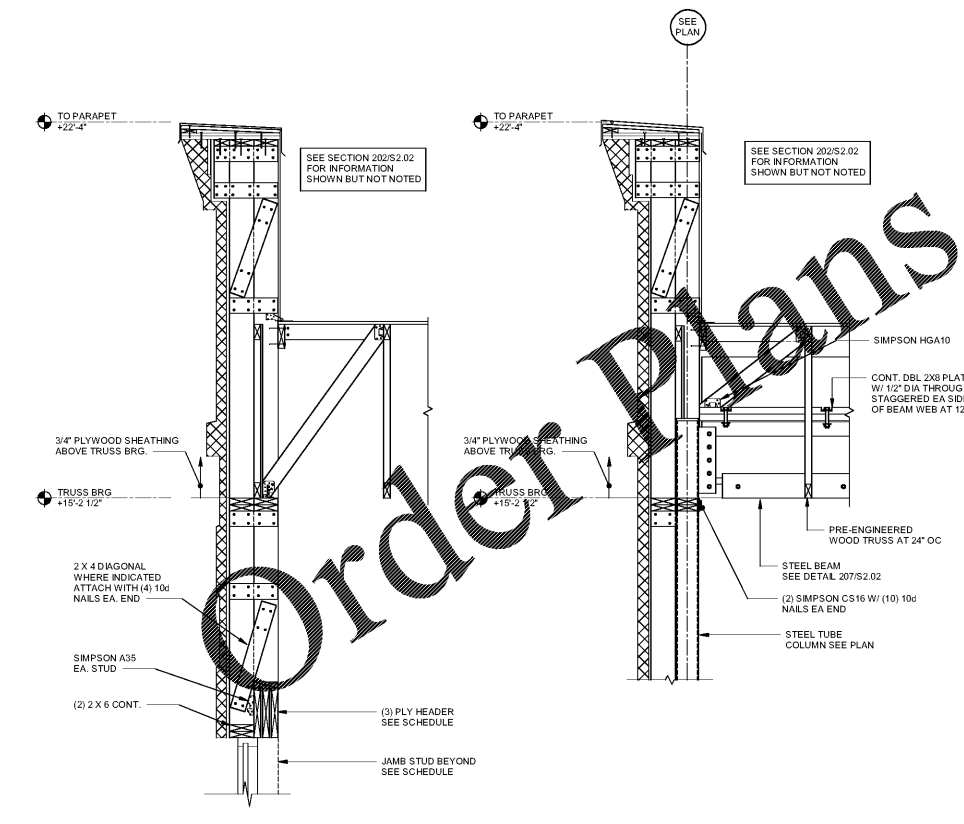
SECTION 201
SCALE: 3/4" = 1'-0"
S2.02



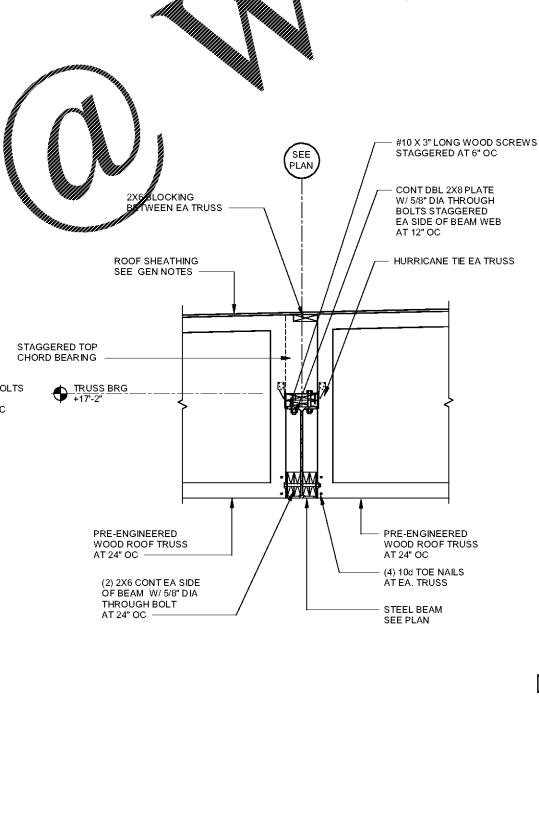
SECTION 202
SCALE: 3/4" = 1'-0"
S2.02



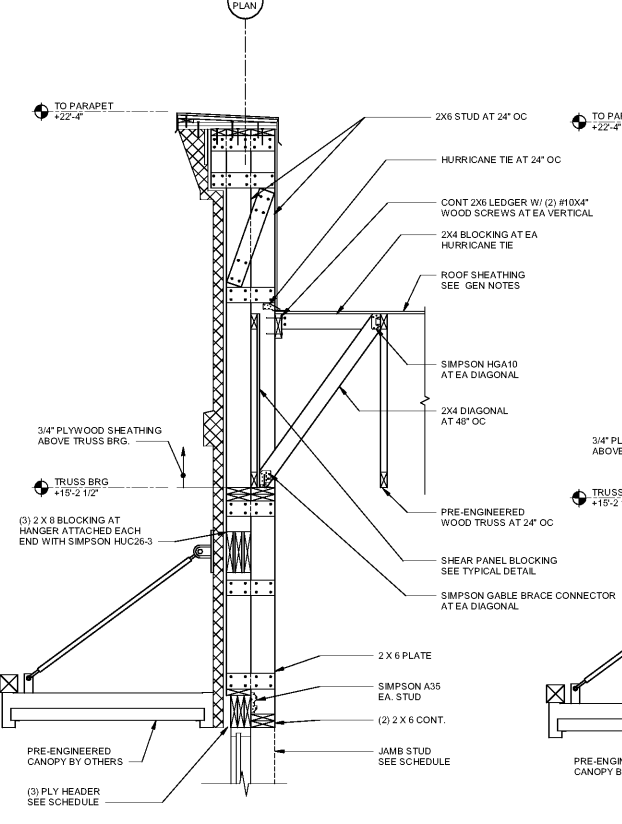
SECTION 203
SCALE: 3/4" = 1'-0"
S2.02



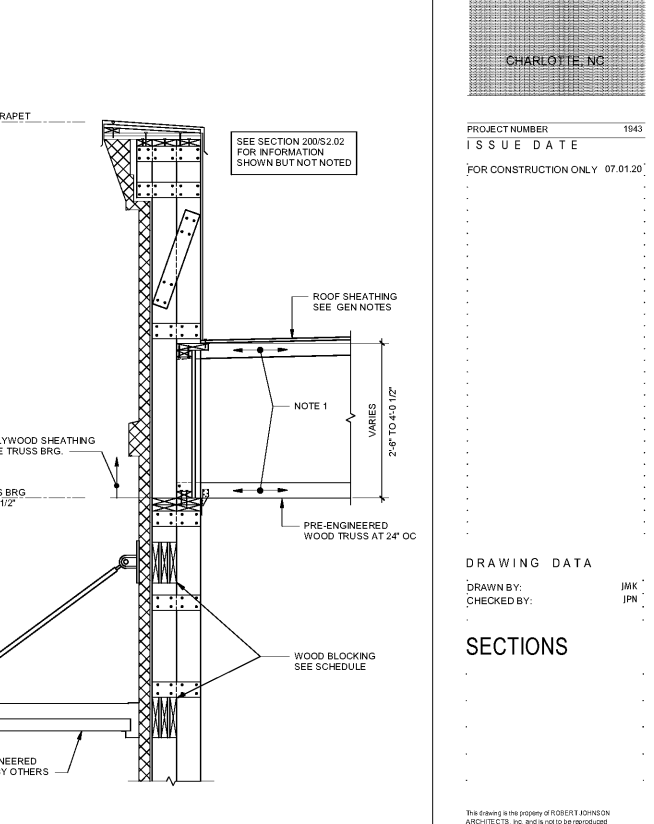
SECTION 204
SCALE: 3/4" = 1'-0"
S2.02



SECTION 205
SCALE: 3/4" = 1'-0"
S2.02



SECTION 206
SCALE: 3/4" = 1'-0"
S2.02



SECTION 209
SCALE: 3/4" = 1'-0"
S2.02

ALBEMARLE SHOPS
CHARLOTTE, NC

PROJECT NUMBER 1943
ISSUE DATE
FOR CONSTRUCTION ONLY 07.01.20

DRAWING DATA
DRAWN BY: JMK
CHECKED BY: JPN

SECTIONS

This drawing is the property of ROBERT JOHNSON ARCHITECTS, P.C. and is not to be reproduced or copied in whole or in part. It is only to be used for the project and site specifically identified herein and is not to be used on any other project. It is to be returned upon request.

S2.02