



ROBERT JOHNSON
architects
1808 West Morehead St
Charlotte, NC 28208
T 704 / 342 1058
F 704 / 342 3043

STAMPS



CONSULTANT



ALBEMARLE SHOPS
CHARLOTTE, NC

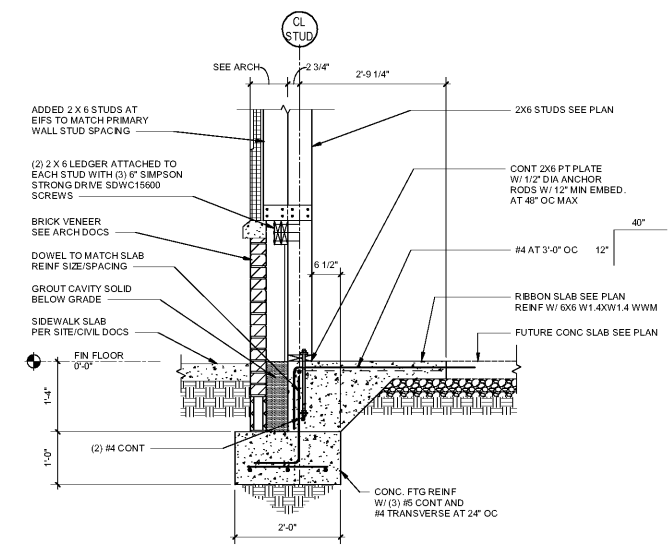
PROJECT NUMBER 1943
ISSUE DATE
FOR CONSTRUCTION ONLY 07.01.20

DRAWING DATA
DRAWN BY: JMK
CHECKED BY: JPN

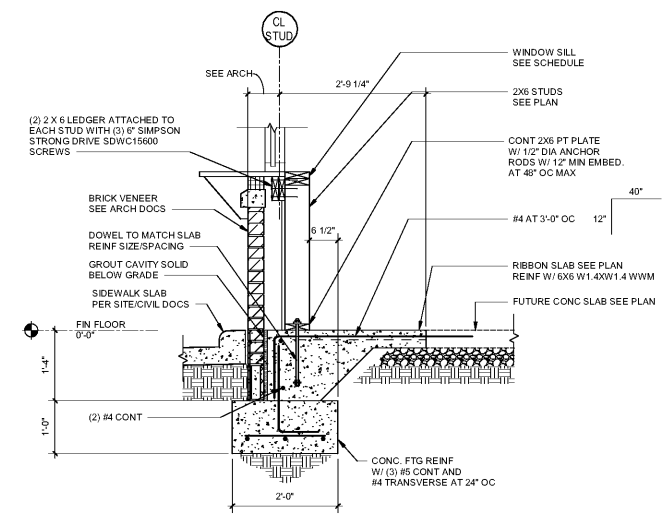
SECTIONS

This drawing is the property of ROBERT JOHNSON ARCHITECTS, INC. and is not to be reproduced or copied in whole or in part. It is only to be used for the project and site specifically identified herein, and is not to be used on any other project. It is to be returned upon request.

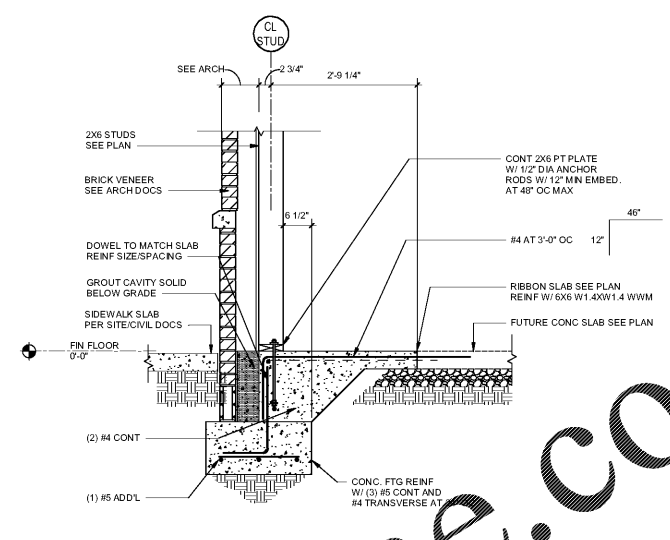
S2.01



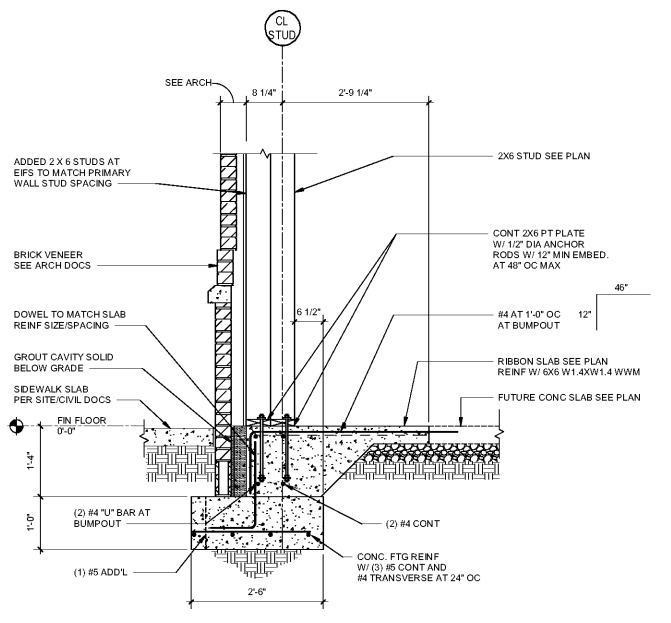
SECTION 100
SCALE: 3/4\"/>



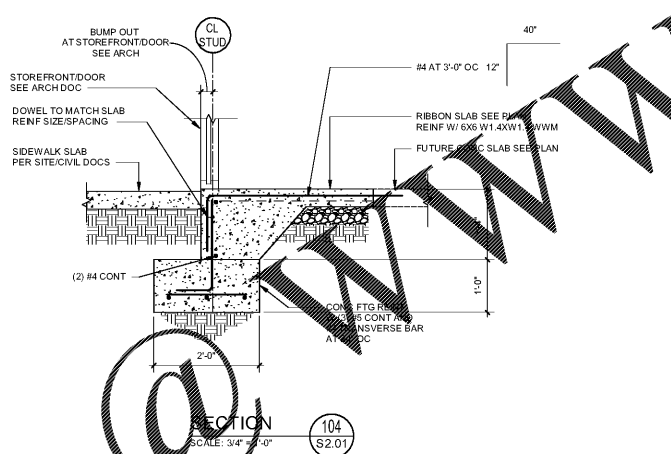
SECTION 101
SCALE: 3/4\"/>



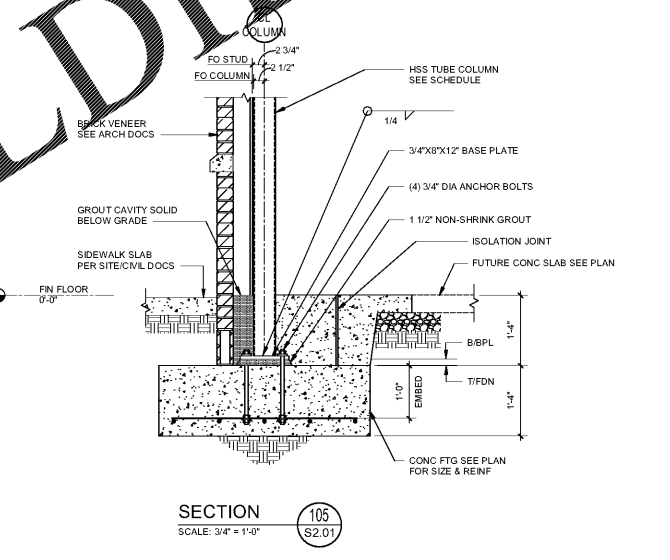
SECTION 102
SCALE: 3/4\"/>



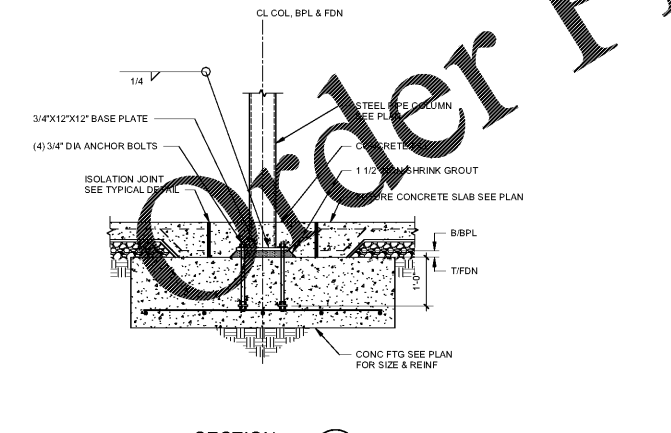
SECTION 103
SCALE: 3/4\"/>



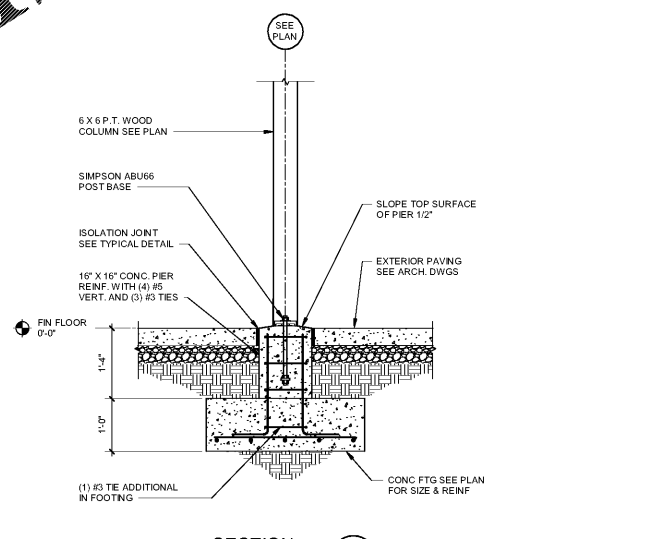
SECTION 104
SCALE: 3/4\"/>



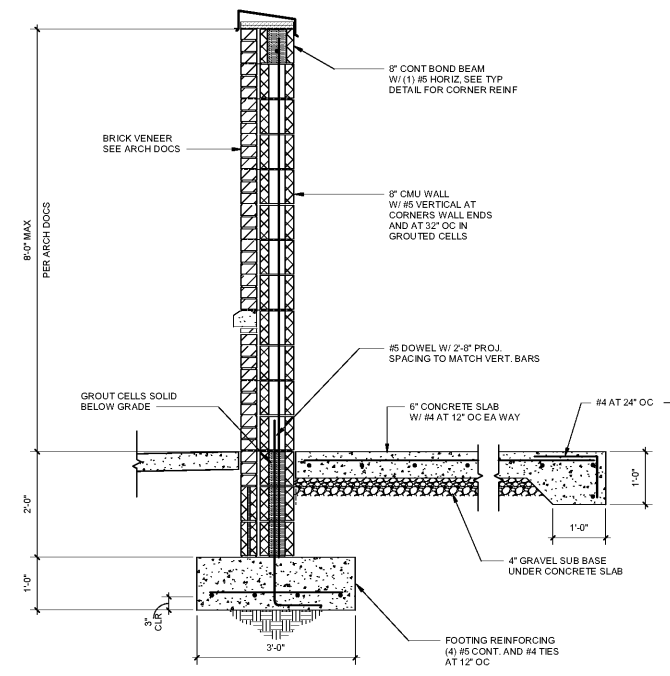
SECTION 105
SCALE: 3/4\"/>



SECTION 106
SCALE: 3/4\"/>



SECTION 107
SCALE: 3/4\"/>



TYPICAL DUMPSTER ENCLOSURE SECTION

Order Plans @ www.LDILine.com