

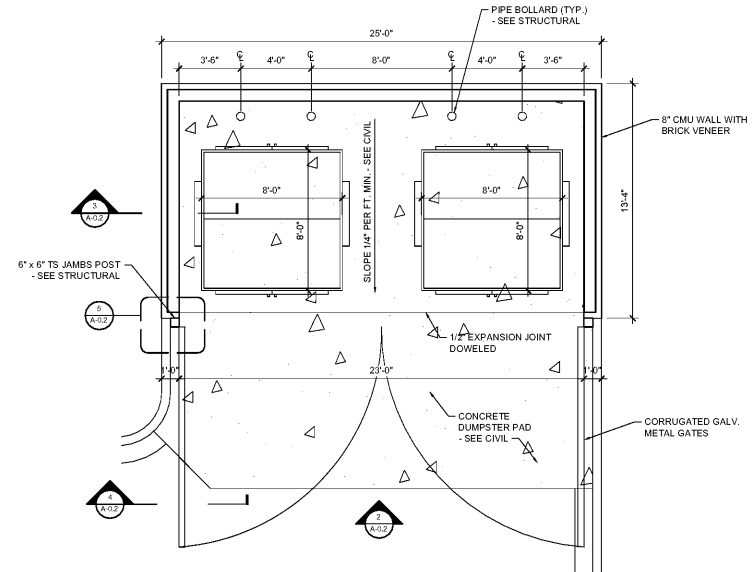


**ROBERT JOHNSON**  
architects  
1808 West Morehead St.  
Charlotte, NC 28208  
704 / 342.1058

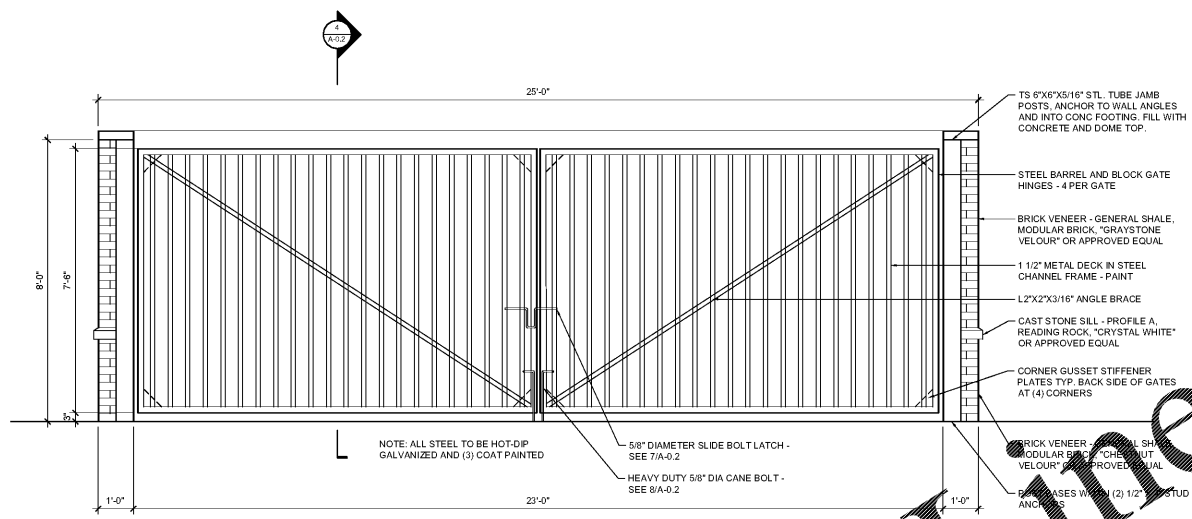
STAMPS



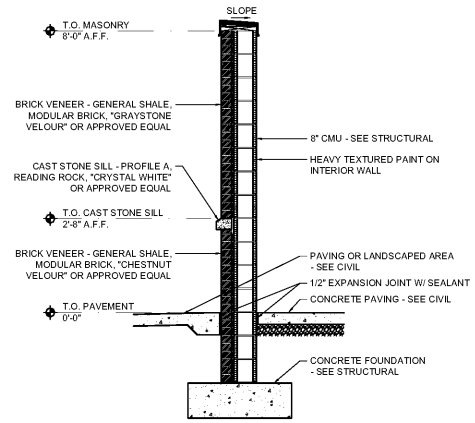
CONSULTANT



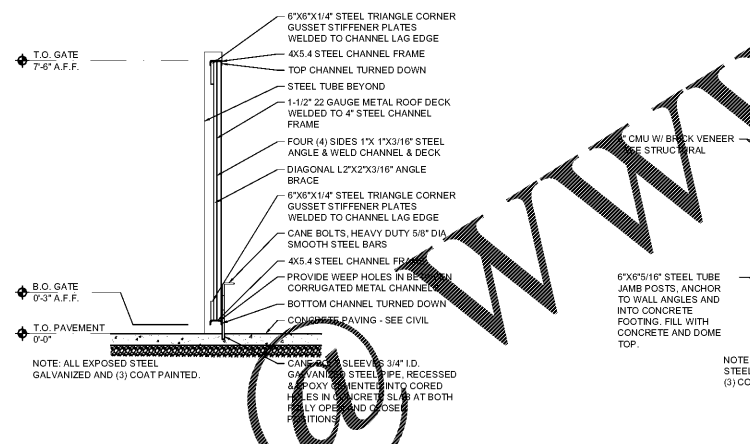
**1 DUMPSTER ENCLOSURE PLAN**  
A-0.2 Scale: 1/4"=1'-0"



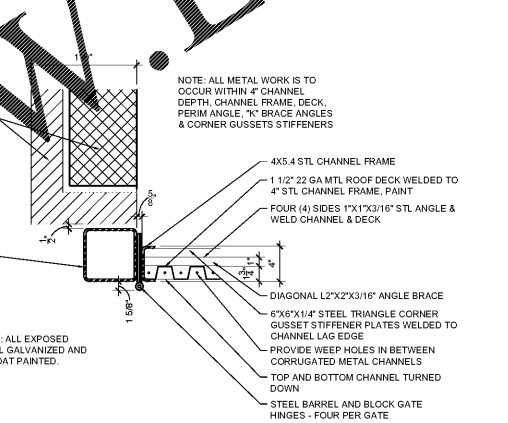
**2 FRONT ELEVATION**  
A-0.2 Scale: 1/2"=1'-0"



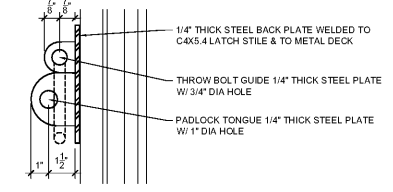
**3 TYPICAL WALL SECTION**  
A-0.2 Scale: 1-1/2"=1'-0"



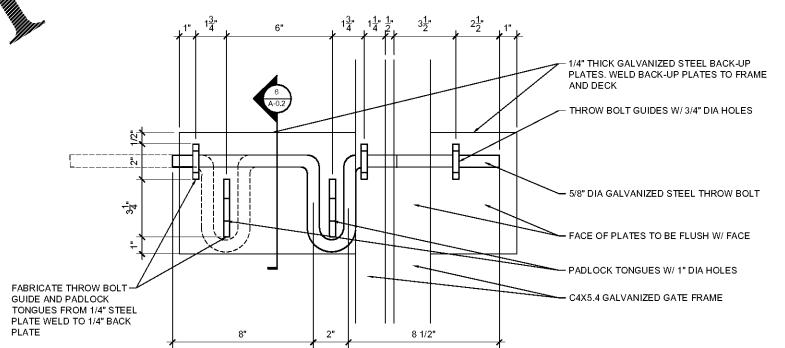
**4 TYPICAL GATE SECTION**  
A-0.2 Scale: 1-1/2"=1'-0"



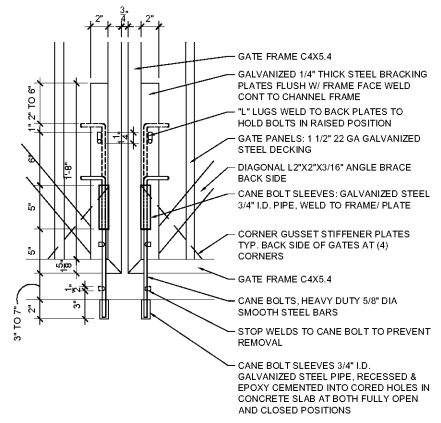
**5 PLAN DETAIL**  
A-0.2 Scale: 1-1/2"=1'-0"



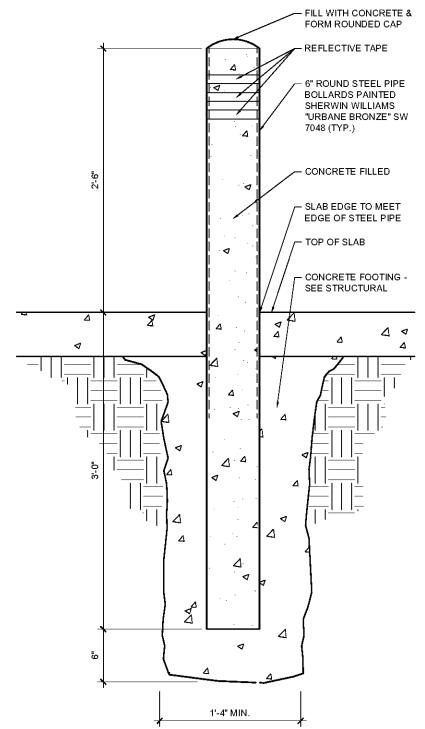
**6 SECTION DETAIL**  
A-0.2 Scale: 3"=1'-0"



**7 ELEVATION DETAIL**  
A-0.2 Scale: 3"=1'-0"



**8 ELEVATION DETAIL**  
A-0.2 Scale: 1-1/2"=1'-0"



**9 TYPICAL BOLLARD SECTION**  
A-0.2 Scale: 1-1/2"=1'-0"

Order Plans @ www.LDILine.com

**ALBEMARLE**  
**SHOPS**  
CHARLOTTE, NC

PROJECT NUMBER 1943  
**ISSUE DATE**  
FOR CONSTRUCTION ONLY 07.01.20

**DRAWING DATA**  
DRAWN BY: EJM  
CHECKED BY: TH

**SHEET TITLE**

**DUMPSTER**  
**ENCLOSURE**  
**DETAILS**

This drawing is the property of ROBERT JOHNSON ARCHITECTS, Inc. and is not to be reproduced or copied in whole or in part. It is only to be used for the project and site specifically identified herein and is not to be used on any other project. It is to be returned upon request.

**SHEET NUMBER**

**A-0.2**