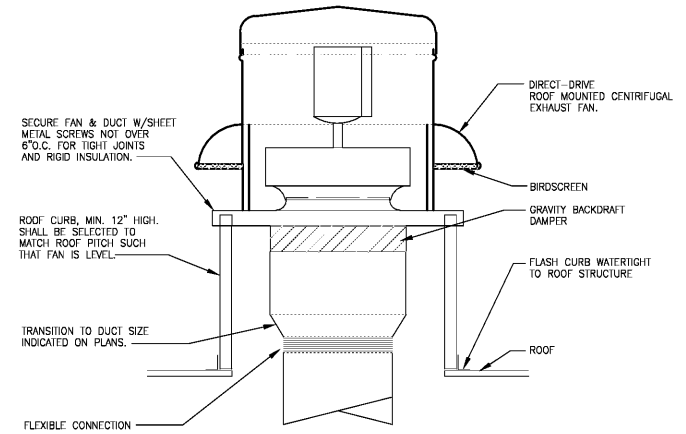
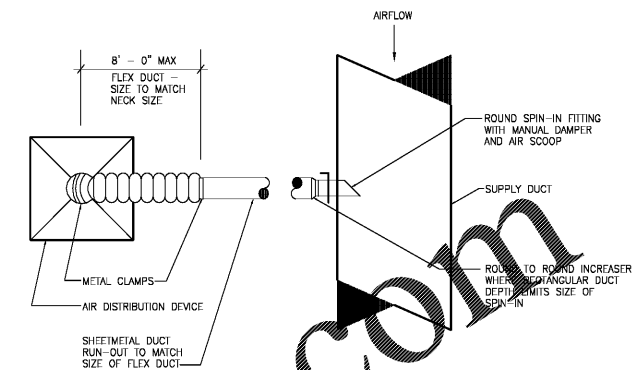


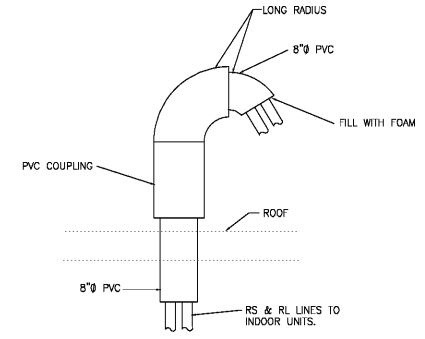
3 ROOF MOUNTED EXHAUST/INTAKE HOOD
M-002 NO SCALE



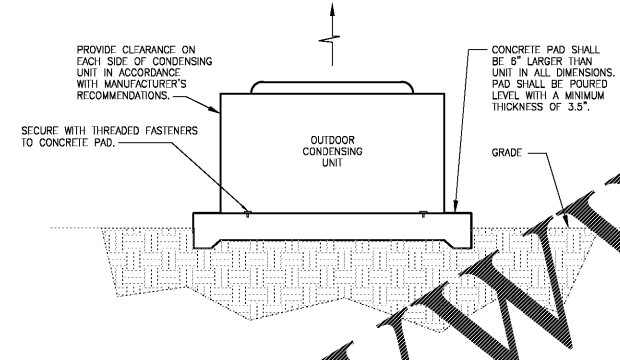
2 ROOF MOUNTED EXHAUST FAN DETAIL
M-002 NO SCALE



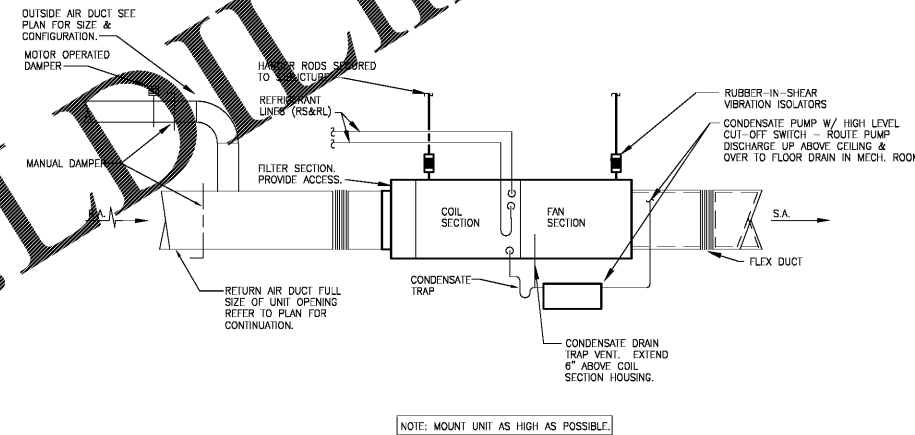
1 DIFFUSER CONNECTION DETAIL
M-002 NO SCALE



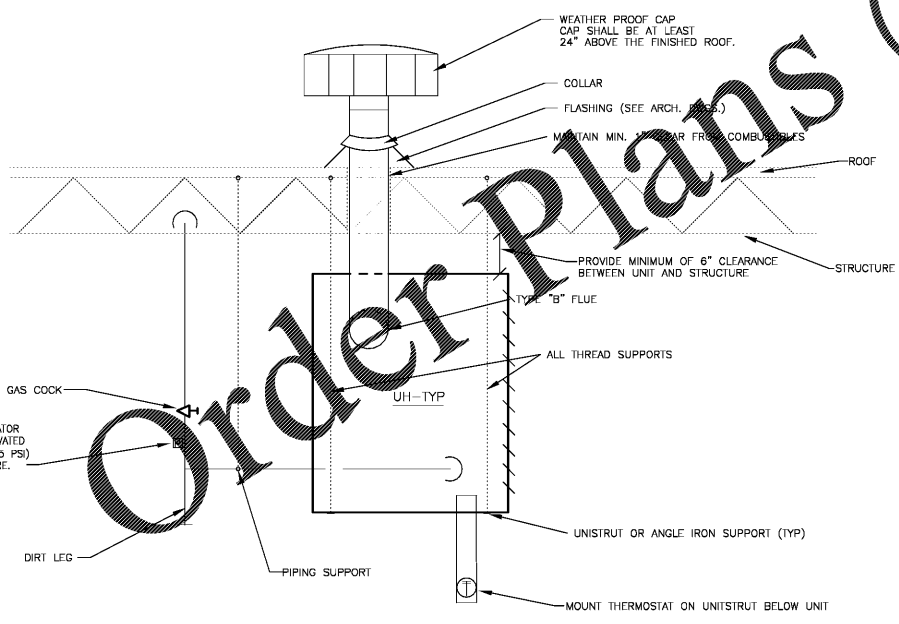
6 REFRIGERANT PIPING ROOF PENETRATION
M-002 NO SCALE



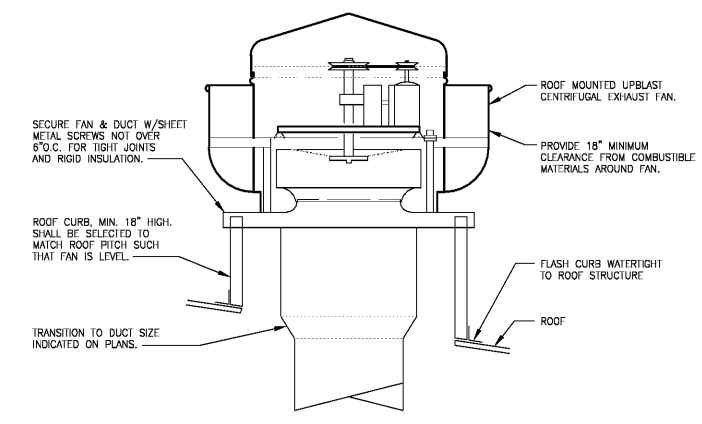
5 CONDENSING UNIT DETAIL
M-002 NO SCALE



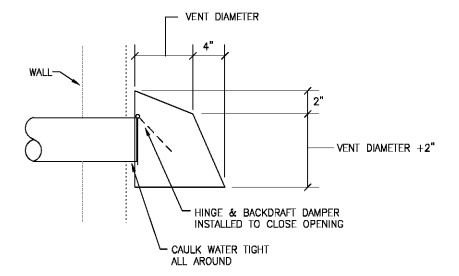
4 AIR HANDLING UNIT DETAIL
M-002 NO SCALE



9 UNIT HEATER DETAIL
M-002 NO SCALE



8 CENTRIFUGAL UPBLAST EXHAUST FAN DETAIL
M-002 NO SCALE



7 DRYER EXHAUST WALL CAP INSTALLATION DETAIL
M-002 NO SCALE



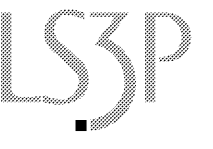
MAINTENANCE BUILDINGS

3700 GLENEAGLES RD,
CHARLOTTE, NC 28210

BW
Barrett, Woodyard and Associates, Inc.
License # C-2228

420 Mineral LN,
Charlotte, North Carolina 28217
(704) 367-9553 (704) 367-9345

This drawing is copyrighted. It may not be reproduced nor used in any other form or on any other project.
BWA JOB # 2020-0497



227 WEST TRADE STREET SUITE 700
CHARLOTTE, NORTH CAROLINA 28202
TEL. 704.333.6666 FAX 704.333.2926
WWW.LS3P.COM

MEMBERS OF THE AMERICAN INSTITUTE OF ARCHITECTS

COPYRIGHT 2017 ALL RIGHTS RESERVED
PRINTED OR ELECTRONIC DRAWINGS AND DOCUMENTATION MAY NOT BE REPRODUCED IN ANY FORM WITHOUT WRITTEN PERMISSION FROM LS3P ASSOCIATES LTD.

REVISIONS:

No.	Description	Date
01	ISSUED FOR CONSTRUCTION 04/26/20	

PROJECT: 9606-197950
DATE: 19 JUNE 2020
DRAWN BY: NPD
CHECKED BY: BJR

DETAILS - MECHANICAL

M-002