



MAINTENANCE BUILDINGS



227 WEST TRADE STREET SUITE 700
CHARLOTTE, NORTH CAROLINA 28202
TEL. 704.333.8888 FAX 704.333.2926
WWW.LS3P.COM

MEMBERS OF THE AMERICAN INSTITUTE OF ARCHITECTS
COPYRIGHT 2020 ALL RIGHTS RESERVED
PRINTED OR ELECTRONIC DRAWINGS AND
DOCUMENTATION MAY NOT BE REPRODUCED
IN ANY FORM WITHOUT WRITTEN PERMISSION
FROM LS3P ASSOCIATES LTD.

REVISIONS:

No.	Description	Date

PROJECT: 9606-197950
DATE: 19 JUNE 2020
DRAWN BY: Author
CHECKED BY: Checker

PARTITION TYPES
A-003

PARTITION DESIGNATION KEY

A3N01

PARTITION CATEGORY: A
PARTITION SIZE: 3
PARTITION INSULATION: N
PARTITION RATING: 0

PARTITION CATEGORY
A - METAL STUD
C - CHASE
F - FURRING
G - GLASS BLOCK
M - MASONRY
S - SHAFT
W - WOOD

PARTITION SIZE
A0 7/8" FURRING CHANNEL
A1 1 5/8" METAL STUD
A2 2 1/2" METAL STUD
A3 3 5/8" METAL STUD
A4 4" METAL STUD
A5 2 1/2" C-H STUD
A6 6" METAL STUD
A7 4" C-H STUD
A8 8" METAL STUD
W1 1 5/8" WOOD FURRING STUD
W4 4" WOOD STUD
W6 6" WOOD STUD
M4 4" NOM. CMU
M6 6" NOM. CMU
M8 8" NOM. CMU
M9 12" NOM. CMU

PARTITION INSULATION
S - SOUND ATTENUATION
N - NON-INSULATED

PARTITION RATING
0 - NON-RATED TO 4" ABOVE CEILING
1 - 1 HOUR FIRE PARTITION
2 - 2 HOUR FIRE PARTITION
3 - 3 HOUR FIRE PARTITION
4 - 4 HOUR FIRE PARTITION
C - PARTITION TO CEILING
S - SMOKE PARTITION
T - TILE SUBSTRATE PARTITION
X - NON-RATED TO DECK, SEALED TOP & BOTTOM
Y - STRUCTURE TO DECK, FIN MATL. TO 4" ABOVE CLG

RATED ASSEMBLIES

Design No. U905
Bearing Wall Rating - 2 HR.
Nonbearing Wall Rating - 2 HR.
Load Restricted for Canadian Applications - See Guide EXUVZ

1. Concrete Blocks* - Various designs. Classification D-2 (2 hr).
See Concrete Blocks category for list of eligible manufacturers.

2. Mortar - Blocks laid in full bed of mortar, nom. 3/8 in. thick, of not less than 2:1:4 and not more than 3:1:2 parts of clean sharp sand to 1 part Portland cement (proportioned by volume) and not more than 50 percent hydrated lime (by cement volume). Vertical joints staggered.

3. Portland Cement Stucco or Gypsum Plaster - Add 1/2 hr to classification if used. Where combustible members are framed in wall, plaster or stucco must be applied on the face opposite framing to achieve a max. Classification of 1-1/2 hr. Attached to concrete blocks (Item 1).

4. Loose Masonry Fill - If all core spaces are filled with loose masonry fill (slag, expanded clay shale (Ruxley Kin Process), water repellent vermiculite, perlite fill, etc.) or 2" treated perlite loose fill insulation add 2 hr to classification.

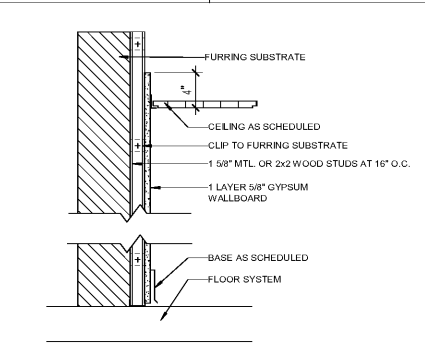
5. Foamed Plastic* - (Optional Not Shown) - 1-1/2" thick max, 4 ft wide, being applied to concrete blocks (Item 1).

THE DOW CHEMICAL CO. - Type Thermax

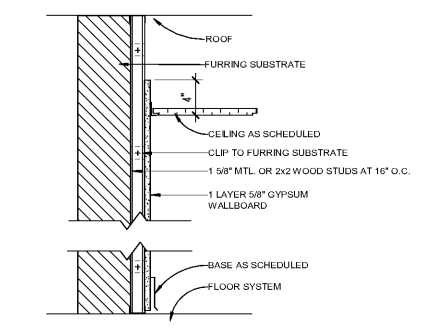
*bearing the UL Classification Mark

Last Updated on 2004-03-17

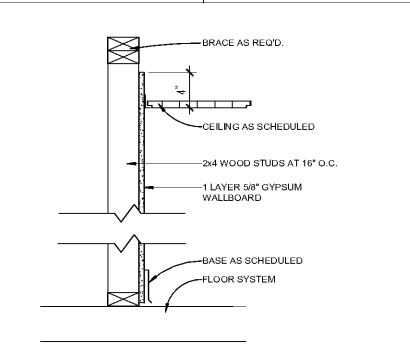
Reprinted from the Online Certifications Directory with permission from Underwriters Laboratories Inc. Copyright © 2009 Underwriters Laboratories Inc.®



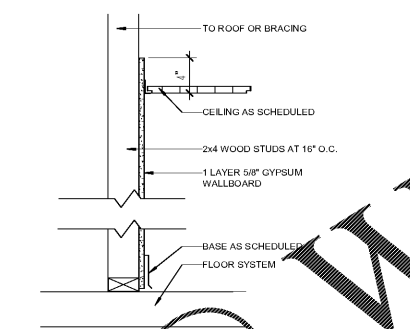
F1N0	FIRE RATING	UL TEST NO.	STC RATING - N/A
	N/A	N/A	N/A



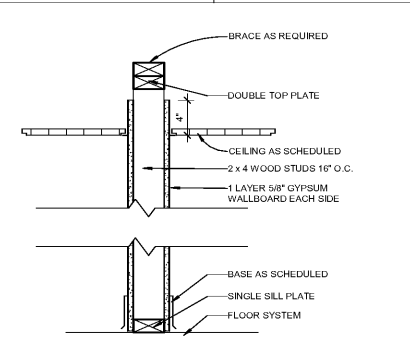
F1NY	FIRE RATING	UL TEST NO.	STC RATING - N/A
	N/A	N/A	N/A



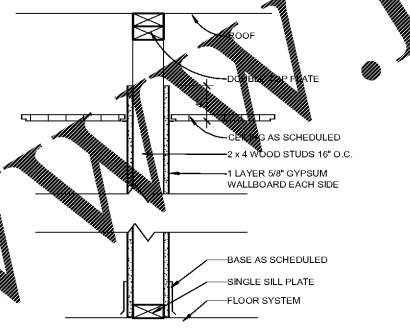
F4N0	FIRE RATING	UL TEST NO.	STC RATING - N/A
	N/A	N/A	N/A



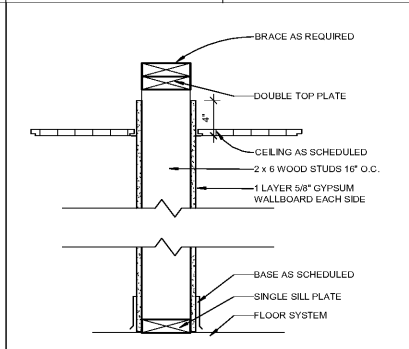
F4NY	FIRE RATING	UL TEST NO.	STC RATING - N/A
	N/A	N/A	N/A



W4N0	FIRE RATING	UL TEST NO.	STC RATING - N/A
	N/A	N/A	N/A



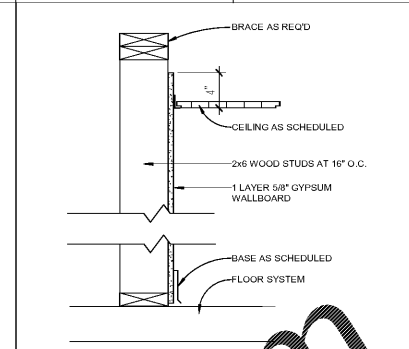
W4NY	FIRE RATING	UL TEST NO.	STC RATING - N/A
	N/A	N/A	N/A



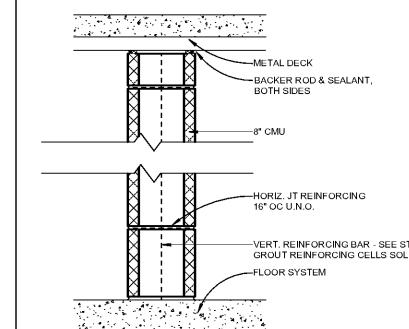
W6N0	FIRE RATING	UL TEST NO.	STC RATING - N/A
	N/A	N/A	N/A



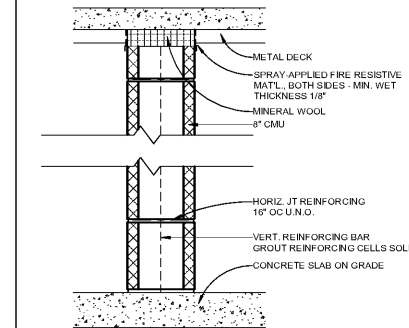
W6NY	FIRE RATING	UL TEST NO.	STC RATING - N/A
	N/A	N/A	N/A



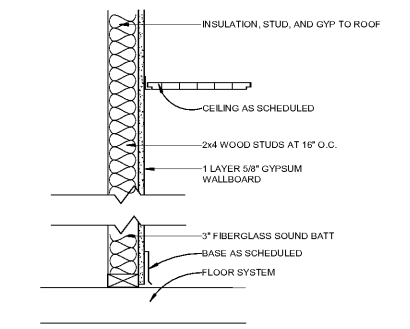
F6N0	FIRE RATING	UL TEST NO.	STC RATING - N/A
	N/A	N/A	N/A



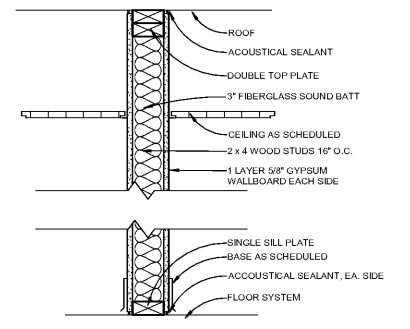
M8N0	FIRE RATING	UL TEST NO.	STC RATING
	N/A	N/A	N/A



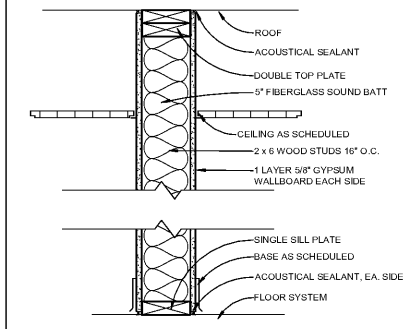
M8N2	FIRE RATING	UL TEST NO.	STC RATING
	2 HR	U905	N/A



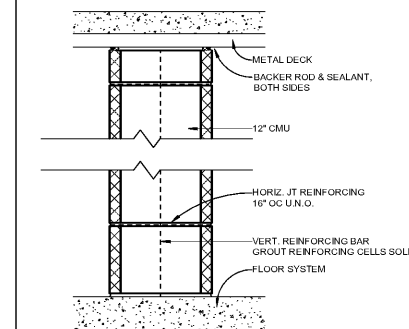
F4S0	FIRE RATING	UL TEST NO.	STC RATING - N/A
	N/A	N/A	N/A



W4SX	FIRE RATING	UL TEST NO.	STC RATING - N/A
	N/A	N/A	N/A



W6SX	FIRE RATING	UL TEST NO.	STC RATING - N/A
	N/A	N/A	N/A



M9N0	FIRE RATING	UL TEST NO.	STC RATING
	N/A	N/A	N/A