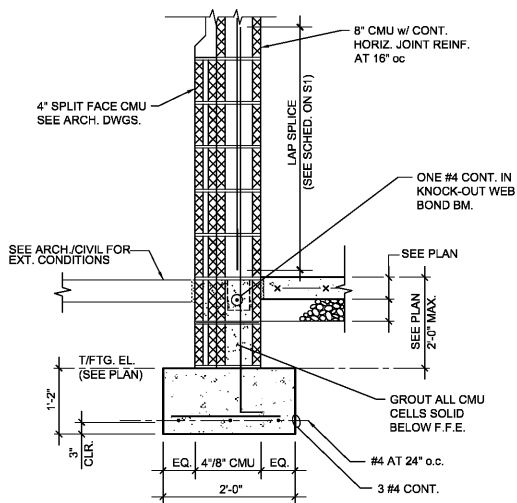
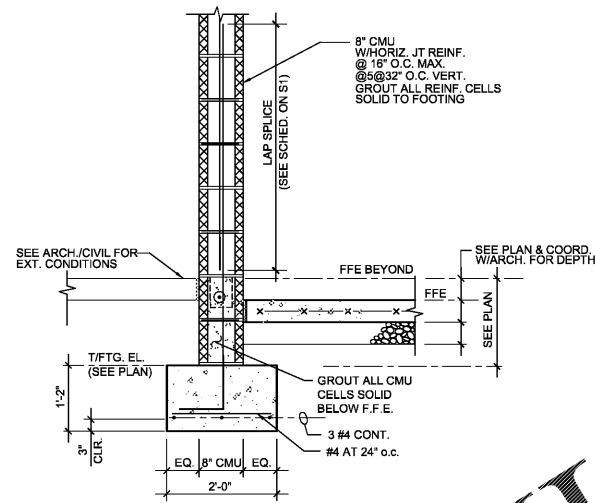


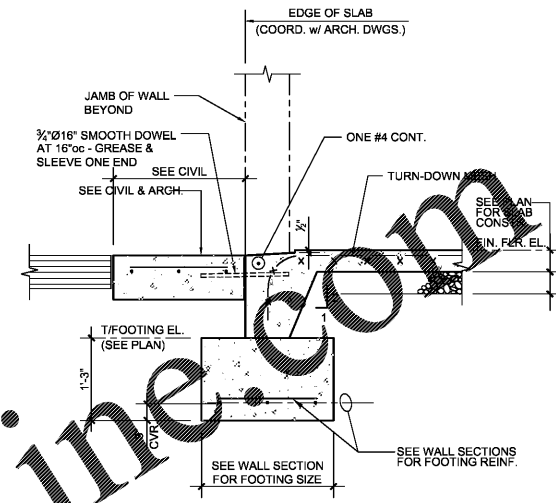
1 SECTION AT WALL FOOTING
S4 3/4" = 1'-0"



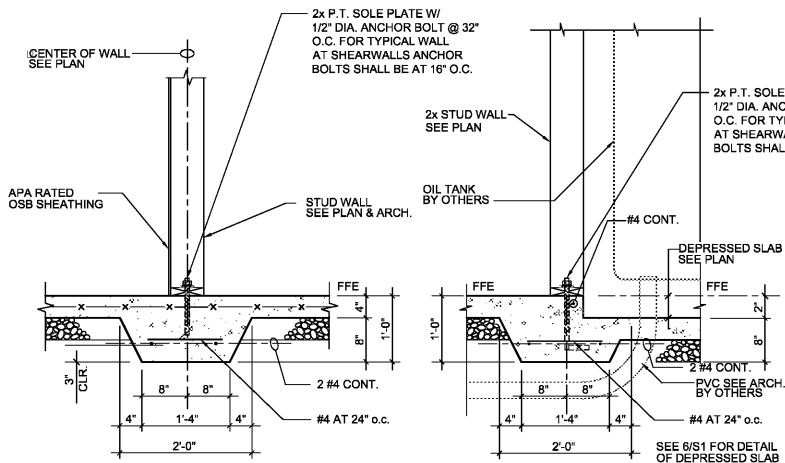
2 SECTION AT WALL FOOTING
S4 3/4" = 1'-0"



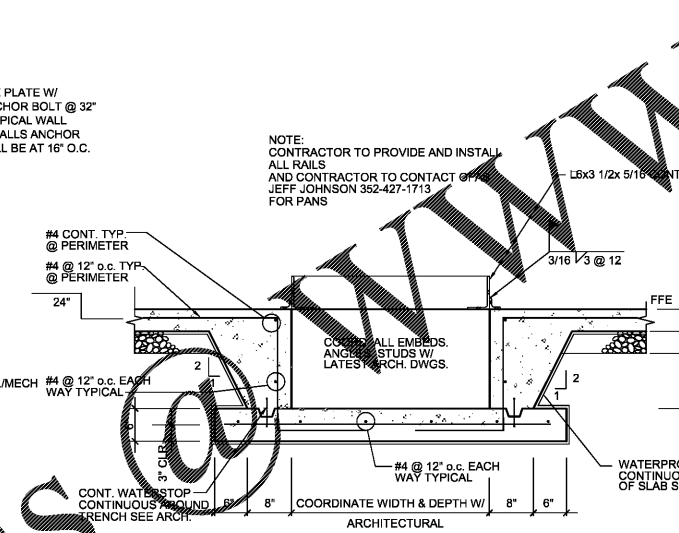
3 SECTION AT DEPRESSED SLAB
S4 3/4" = 1'-0"



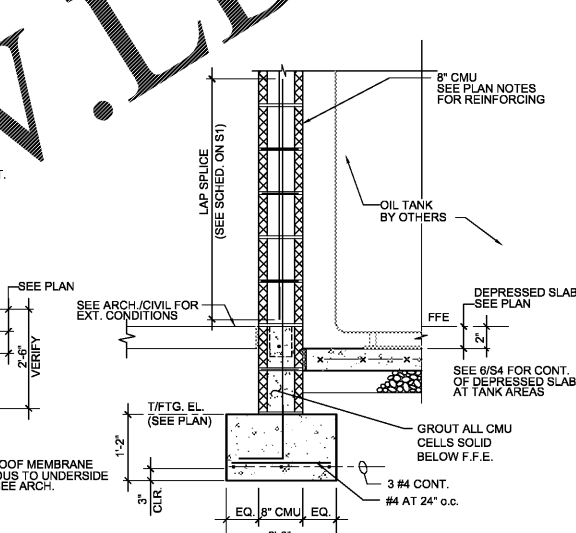
4 SECTION AT ROLL UP DOORS
S4 3/4" = 1'-0"



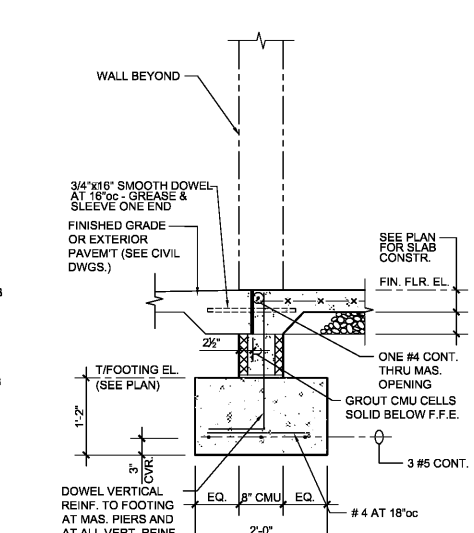
5 SECTION AT INT. WALL
S4 3/4" = 1'-0"



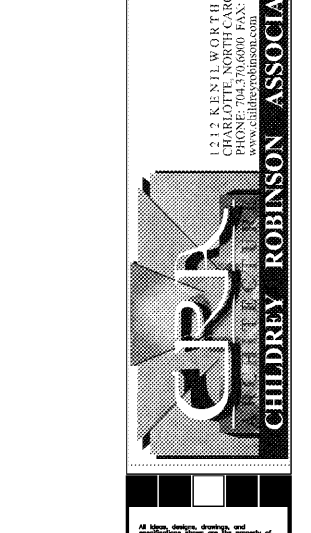
6 SECTION AT OIL TANK CURB
S4 3/4" = 1'-0"



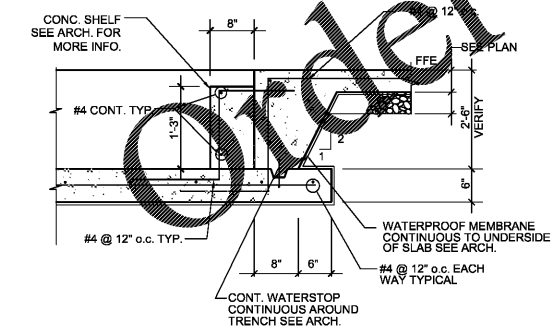
7 SECTION @ LUBE TRENCH
S4 3/4" = 1'-0"



8 SECTION AT WALL FOOTING
S4 3/4" = 1'-0"
DEPRESSED SLAB AT OIL TANKS



9 SECTION AT THRESHOLD
S4 3/4" = 1'-0"

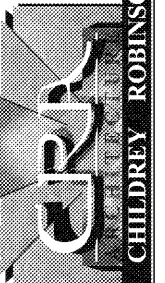


10 SECTION @ LUBE TRENCH
S4 3/4" = 1'-0" AT SHELF

TAKE 5 OIL CHANGE
11909 E. MLK JR BLVD
SEFFNER, FL 33584

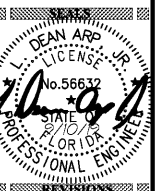
FOR: TAKE 5 OIL CHANGE / DRIVEN BRANDS
CHARLOTTENC

1313 KENNETH WOOD AVE. SUITE
CHARLOTTE, NORTH CAROLINA 28204
PHONE: 704.370.6090 FAX: 704.370.6096
www.childrey-robison.com



CHILDREY ROBISON ASSOCIATES

All design, drawings, and specifications are the property of Childrey Robison Associates, Inc. and shall remain confidential. No part of this document may be reproduced or transmitted in any form or by any means, electronic, mechanical, photocopying, recording, or by any information storage and retrieval system, without the prior written permission of Childrey Robison Associates, Inc. © 2018, by Engineering Inc.



REV.	DESCRIPTION

6-07-2019
AEI #19082
FOUNDATION
DETAILS

L. DEAN ARP, JR., P.E.
FLORIDA PE #56632
AEI
STRUCTURAL ENGINEERS
PO BOX 587 - MONROE - NC 28111
(704) 223-0079
FLORIDA COA #26552

STRUCTURAL
S4