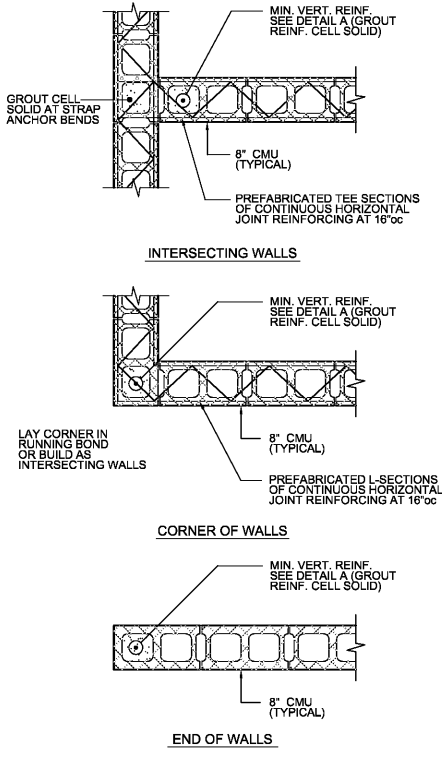
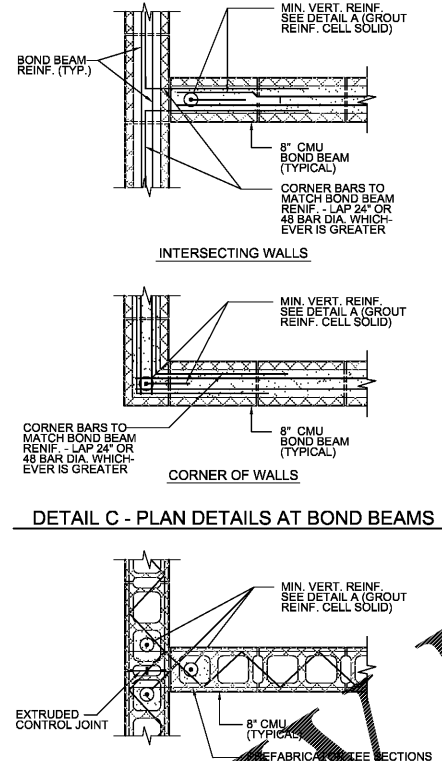


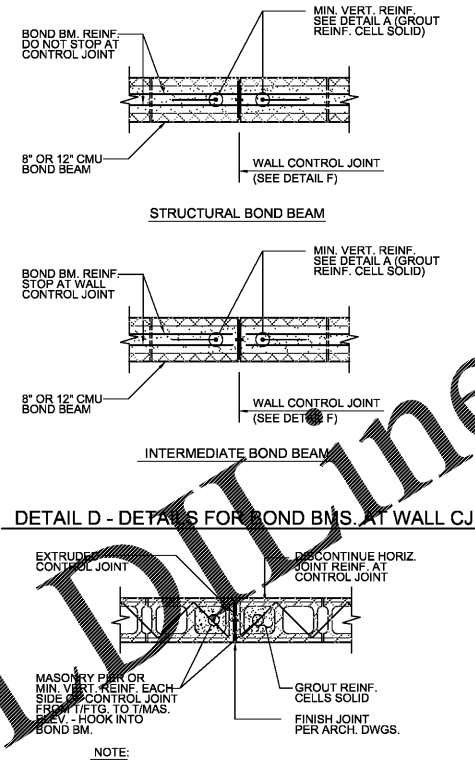
DETAIL A - ELEVATION AT MASONRY OPENING



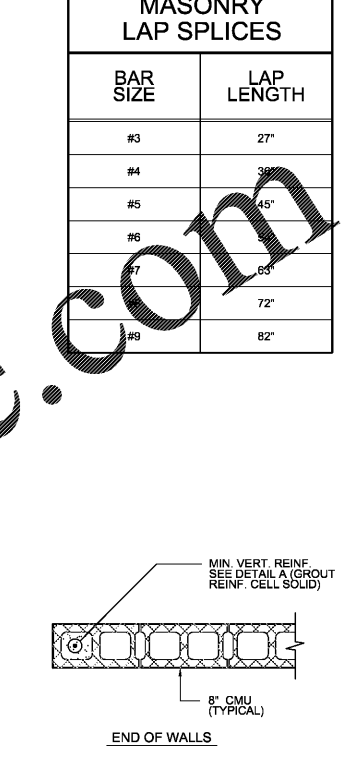
DETAIL B - PLAN DETAILS AT CMU WALLS



DETAIL C - PLAN DETAILS AT BOND BEAMS

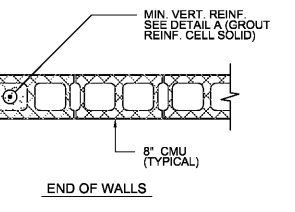


DETAIL D - DETAILS FOR BOND BMS. AT WALL CJ



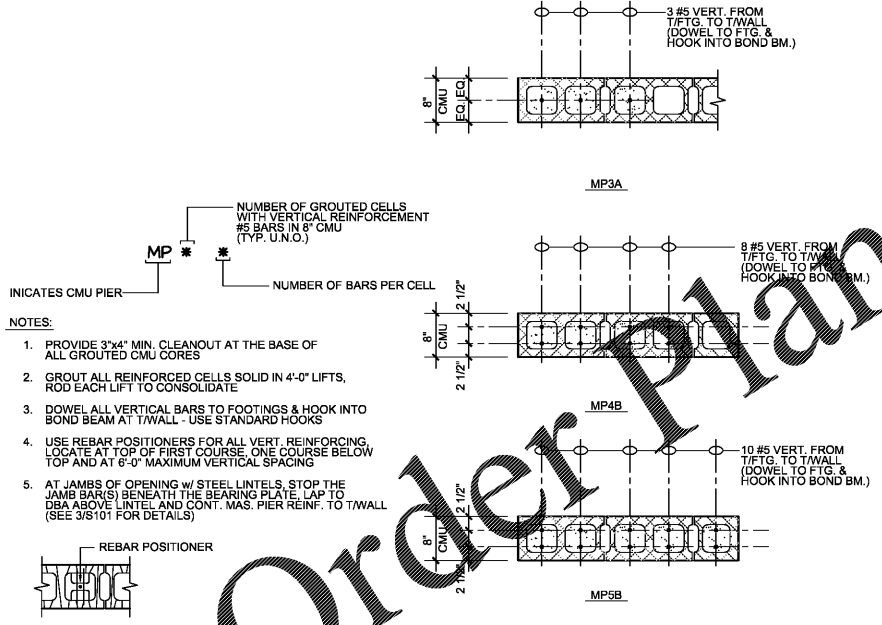
DETAIL E - DETAIL AT WALL CONTROL JOINT

MASONRY LAP SPLICES	
BAR SIZE	LAP LENGTH
#3	27"
#4	36"
#5	45"
#6	60"
#7	63"
#8	72"
#9	82"



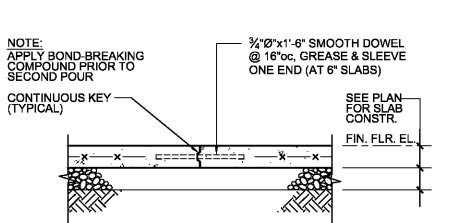
DETAIL F - PLAN DETAIL AT WALL CJ

1 TYPICAL MASONRY DETAILS
S1 N.T.S.



2 MASONRY PIER LEGEND & DETAILS
S1 3/4" = 1'-0"

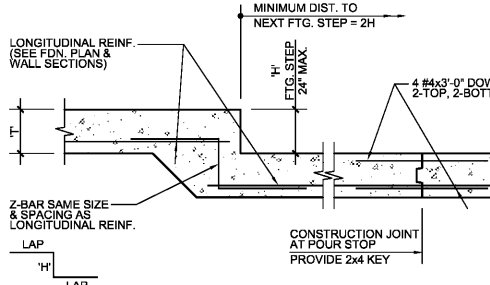
3 SAWCUT CONTRACTION JOINT
S1 N.T.S.



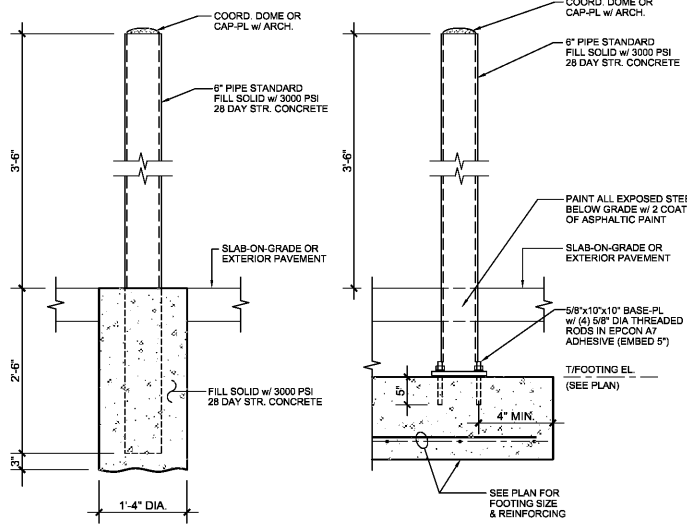
5 KEYED CONSTRUCTION JOINT
S1 N.T.S.



4 SECTION - TYP. DEPRESSED SLAB
S1 N.T.S.



6 SECTION - FOOTING STEP & CONSTRUCTION JOINT
S1 N.T.S. IF NEEDED

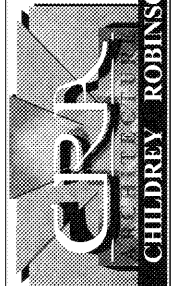


7 TYPICAL PIPE BOLLARD DETAILS
S1 N.T.S.

L. DEAN ARP, P.E.
FLORIDA PE #56632
AEI
STRUCTURAL ENGINEERS
PO BOX 587 - MONROE - NC 28111
(704) 223-0079
FLORIDA COA #26552

TAKE 5 OIL CHANGE
11909 E. MLK JR BLVD
SEFFNER, FL 33584
FOR: TAKE 5 OIL CHANGE / DRIVEN BRANDS
CHARLOTTENC

1313 KENNETH WOOD AVE SUITE
CHARLOTTE, NORTH CAROLINA 28204
PHONE: 704.370.6090 FAX: 704.370.6096
www.charlottechilldrey.com



ALL DESIGN, DRAWING, AND CALCULATION OF THIS PROJECT WAS PERFORMED BY THE PROFESSIONAL ENGINEER, L. DEAN ARP, P.E., LICENSE NO. 56632, STATE OF FLORIDA. THE PROFESSIONAL ENGINEER HAS REVIEWED AND APPROVED THIS PROJECT FOR THE PROFESSIONAL ENGINEER'S SIGNATURE AND SEAL.



REV.	DESCRIPTION

6-07-2019
AEI #19082

TYPICAL DETAILS

STRUCTURAL
SI