

**TAKE 5 OIL CHANGE, LLC
STORAGE SYSTEM REVIEW**

SYSTEMS ARE DIVIDED INTO 2 SEPARATE PROCESSES.

1. USED OIL -

AFTER A TAKE 5 TECHNICIAN DIRECTS AND GUIDES THE CUSTOMER OVER A SHALLOW TRENCH THE USED OIL IS DRAINED INTO A ROLLING DRAIN PAN THAT IS POSITIONED UNDER THE VEHICLE. THE OIL FILTER IS ALSO CHANGED ABOVE THE DRAIN PAN. WHEN NECESSARY, THE DRAIN PANS ARE EMPTIED TO DESIGNATED OIL TANKS VIA 3/4" GASOLINE-RATED HOSE, ROUTED THROUGH CHASES TO THE STORAGE ROOM. THE HOSES ARE CONNECTED VIA A VACUUM DIAPHRAGM PUMP, SO THE SYSTEM IS TOTALLY NON-PRESSURIZED. 100% OF TAKE 5'S USED OIL AND OIL FILTERS ARE RECLAIMED AND RECYCLED BY OSHA CERTIFIED USED OIL RECYCLING COMPANIES.

2. NEW OIL -

WE STORE NEW BULK OILS IN RHINO GRAVITY FEED SYSTEMS INSIDE THE BAY AREAS. THESE SYSTEMS HAVE NO PUMPS OR PRESSURE, ARE APPROVED BY OSHA AND DOT, AND ARE LOCATED WITHIN A RECESSED AREA WITHIN THE SHOP. TAKE 5 ALSO CARRIES A MINIMUM AMOUNT OF RETAIL BOTTLED OILS FOR SPECIALTY VEHICLES AS NECESSARY.

NOTES -

- TYPE OF LIQUIDS BEING STORED ARE CLASS IIB LUBRICANTS ONLY.
- ALL TANKS ARE ABOVE GROUND, SINGLE WALL. 3 ARE STEEL AND 12 ARE HIGH-DENSITY POLYETHYLENE.
- VOLUME OF TANKS:
 - (3) WASTE OIL TANKS OF APPROXIMATELY 330 GALLONS EACH
 - (9) NEW OIL RHINO TANKS OF 120 GALLONS EACH
 - (4) NEW OIL RHINO TANKS OF 220 GALLONS EACH
- FOR CONTAINMENT - BULK TANKS ARE PLACED WITHIN RECESSED AREAS. THE RECESSED AREAS ARE CONNECTED VIA 3" CHASES TO THE SHALLOW TRENCHES, PROVIDING SECONDARY CONTAINMENT. EACH TRENCH MEASURES 10' X 3' X 30", YIELDING A TOTAL EXTRA VOLUME OF 1,683 GALLONS, IN ADDITION TO THE RECESSED AREAS WHERE THE TANKS ARE LOCATED.
- TAKE 5 DOES NOT INCORPORATE DRAINS IN THEIR SHOP, SHALLOW TRENCH, OR STORAGE AREAS. THE ONLY DRAIN IN A TAKE 5 IS LOCATED IN THE RESTROOM.
- WE MOP OUR FLOORS, RINSING THE MOP IN A MOP SINK THAT IS CONNECTED DIRECTLY TO AN OIL SEPARATOR.
- THE OIL SEPARATOR IS CLEANED/EMPTIED/MAINTAINED BY THE OSHA CERTIFIED RECYCLING COMPANY THAT COLLECTS AND RECYCLES THE USED OIL.
- SOME TANKS ARE PLACED ON SHOP FLOOR BETWEEN BAYS.

GENERAL NOTES:

1. ALL ITEMS ARE TO BE PURCHASED, PROVIDED AND INSTALLED BY THE GENERAL CONTRACTOR, UNLESS NOTED OTHERWISE. GENERAL CONTRACTOR SHALL USE NATIONAL PURCHASING ACCOUNTS FOR VENDORS LISTED BELOW.

#	EQUIPMENT SCHEDULE	PURCHASED BY	INSTALLED BY	VENDOR
1.	NEW OIL TOTE TANKS	CORP	GC / FZ	
2.	USED OIL TANKS	GC	VENDOR	
3.	PIT FRAMES	GC	GC	
4.	ROLLING DRAIN PANS	GC	GC	
5.	OFFICE SHELVING	GC	GC	
6.	OIL SEPARATOR	PLUMBER	GC	
7.	COOLANT MACHINE	CORP	FZ	
8.	PODIUM WORK STATIONS	CORP	GC / FZ	
9.	COMPUTERS	CORP	GC / FZ	
10.	COMPUTER MONITORS	CORP	GC / FZ	
11.	DROP SAFE	CORP	GC / FZ	
12.	AIR COMPRESSOR	GC	VENDOR	
13.	USED OIL PUMPS	GC	VENDOR	
14.	SERVICE AREA SHELVING	GC	GC / FZ	
15.	BACK ROOM SHELVING	GC	GC / FZ	

GC GENERAL CONTRACTOR
FZ FRANCHISEE
CORP TAKE 5 CORPORATE
VENDOR PREFERRED INSTALLER

**Current list of
Equipment Installers
Take 5 Oil Change
February 11, 2019**

Texas, Oklahoma and Louisiana-

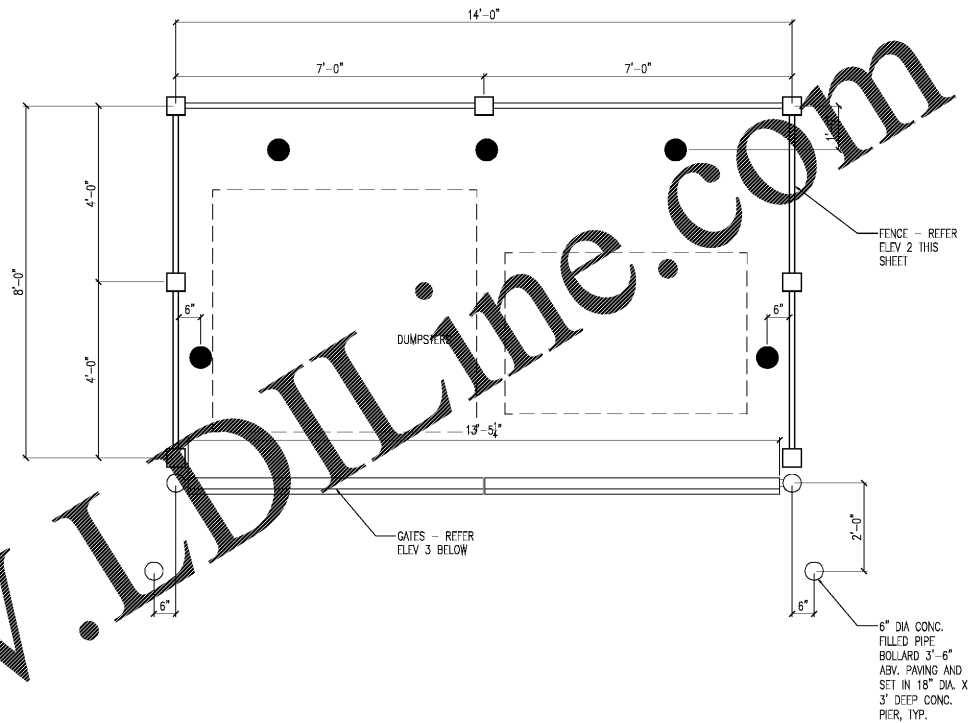
KT Equipment Services Inc
Tim Hanryman
1530 Rutherford Rd
Waxahatchie, TX 75165
214-575-9516
Tim@kdequiperv.com

Florida up to Atlanta

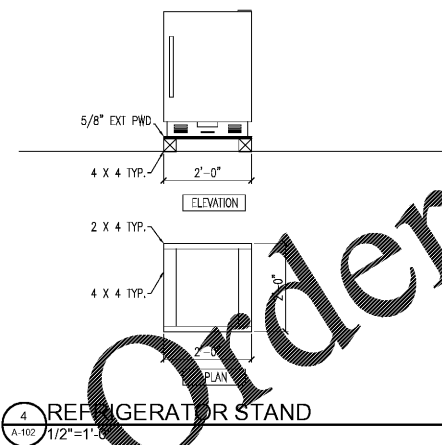
Best Lubrication Equipment, LLC
Glenn Best
P.O. Box 819
Sharps, FL 32959
321-261-6450
Glennbest1@gmail.com

North Carolina, South Carolina, Virginia and Tennessee

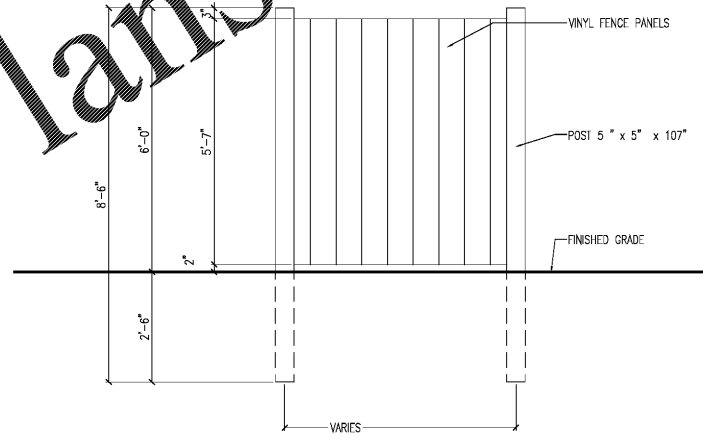
Professional Maintenance and Equipment
Mark Holden
8015 Maxwell Road
Wade, NC 28385
910-591-8915
Mark@Promainequip.com



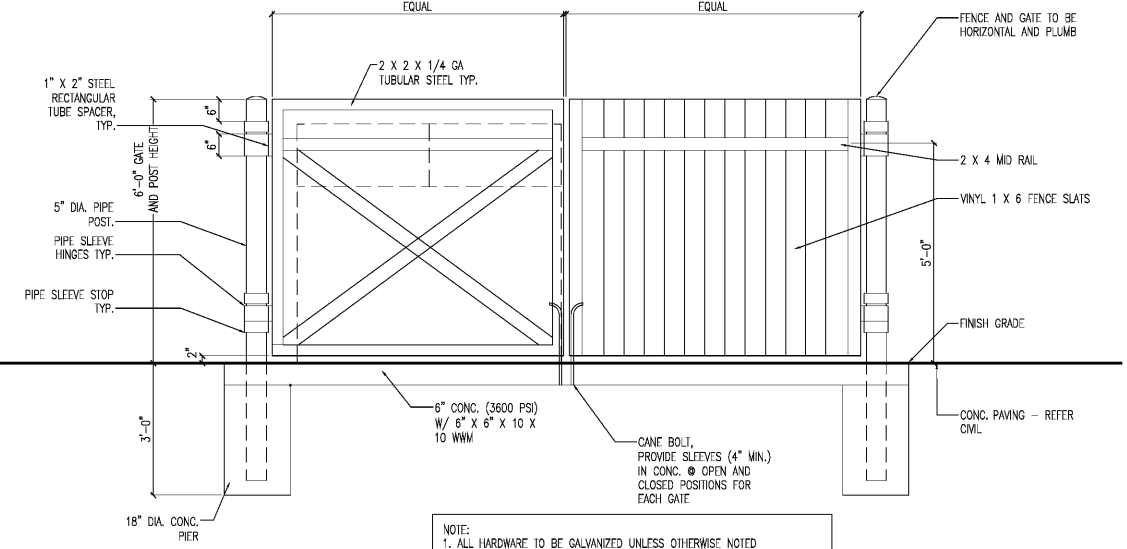
1 DUMPSTER SCREEN PLAN
A-102 1/2"=1'-0"



4 REFRIGERATOR STAND
A-102 1/2"=1'-0"



2 DUMPSTER SCREEN ELEVATIONS
A-102 1/2"=1'-0"



NOTE:
1. ALL HARDWARE TO BE GALVANIZED UNLESS OTHERWISE NOTED
2. ALL STEEL POSTS AND GATE FRAME TO BE PRIMED AND PAINTED WITH 2 COATS EACH. COLOR TO BE DARK BRONZE SW6076.
3. ALL STEEL MEMBERS TO BE SHOP WELDED. PROVIDE SHOP DRAWINGS FOR APPROVAL PRIOR TO FABRICATION. ALL STEEL TO BE PAINTED DARK BRONZE SW6076.
4. ALL METAL FRAMING, POST AND HARDWARE TO BE PRIMED AND PAINTED W/ MIN. 1 COAT PRIMER, AND 2 COATS FINISH. PAINT TO BE OIL BASED AND COLOR TO BE DARK BRONZE SW6076.

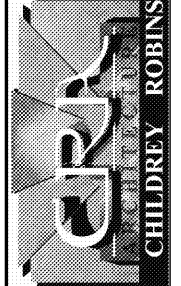
3 DUMPSTER SCREEN ELEVATIONS
A-102 1/2"=1'-0"

Z:\0000 PROJECT DRAWING FILELIST - Y PROJECTS\TAKE 5 SEFFNER FL\BASE_052919.DWG

TAKE 5 OIL CHANGE
11909 E. MLK JR BLVD
SEFFNER, FL 33584

FOR:
TAKE 5 OIL CHANGE / DRIVEN BRANDS
CHARLOTTE NC

1213 KENILWORTH AVENUE
CHARLOTTE NORTH CAROLINA 28204
PHONE: 704.370.6000 FAX: 704.370.6006
www.childreyrobison.com



REV.	DESCRIPTION

06-24-2019
DUMPSTER SCREEN

A-102