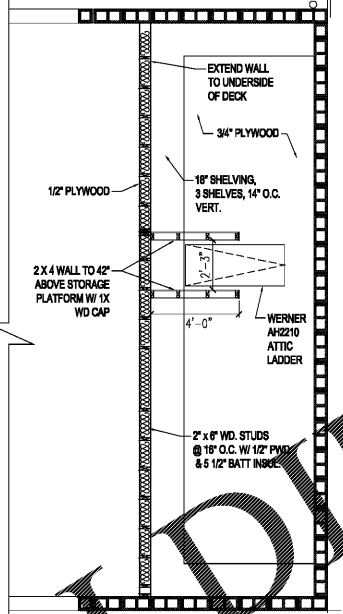
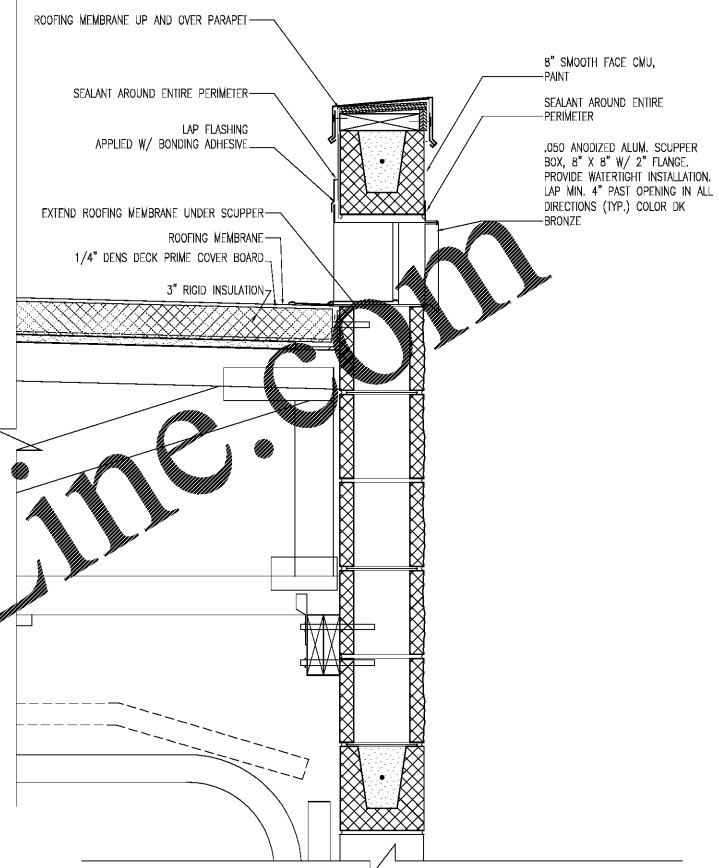


1 ROOF PLAN  
A-101 1/4"=1'-0"

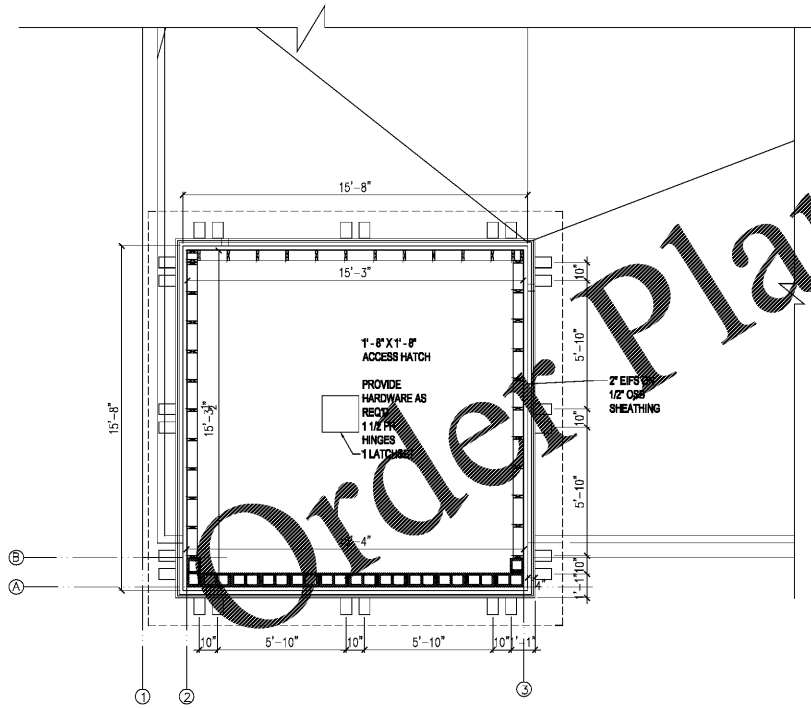


6 STORAGE PLATFORM PLAN  
A-101 1/4"=1'-0"

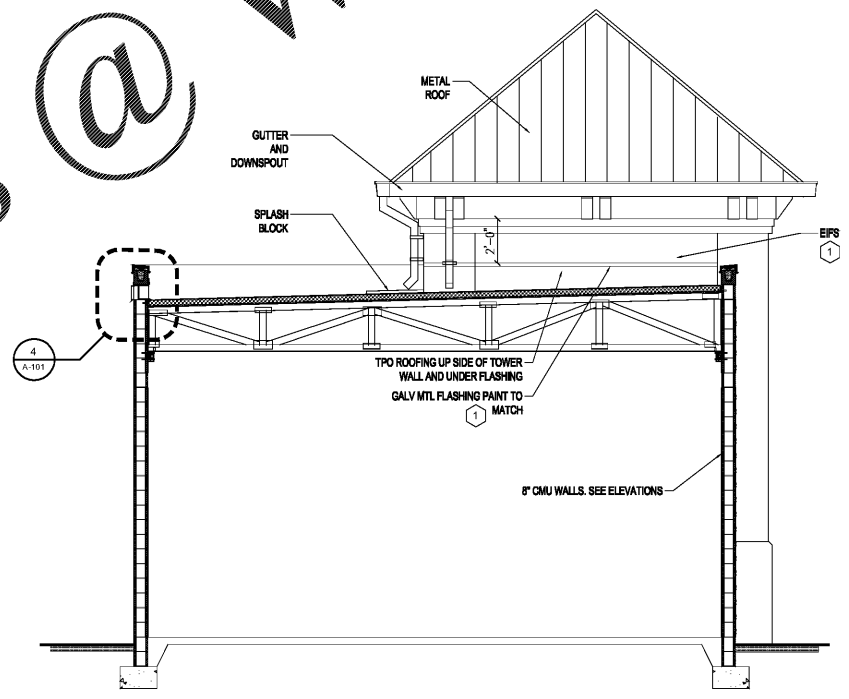


4 TYPICAL SCUPPER  
A-101 1 1/2"=1'-0"

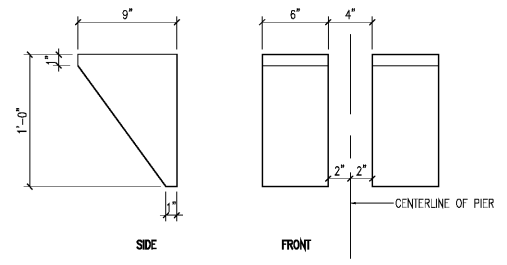
NOTE: OVERFLOW DRAIN TO BE 2" HIGHER THAN ROOF DRAIN



2 TOWER PLAN  
A-101 1/4"=1'-0"



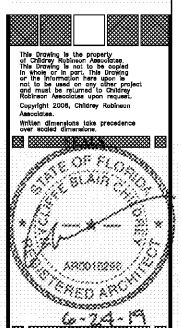
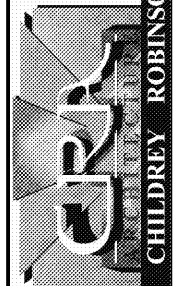
3 SIDE ELEVATION @ ROOF PARAPET  
A-101 1/4"=1'-0"



5 EIFS BRACKET DETAIL  
A-101 1 1/2"=1'-0"

TAKE 5 OIL CHANGE  
11909 E. MLK JR BLVD  
SEFFNER, FL 33584

FOR:  
11909 E. MLK JR BLVD  
CHARLOTTE, NC 28215  
PHONE: 704.370.6093 FAX: 704.370.0096  
www.childreyrobison.com



REV.	DESCRIPTION

06-24-2019

ROOF PLAN

A-101