

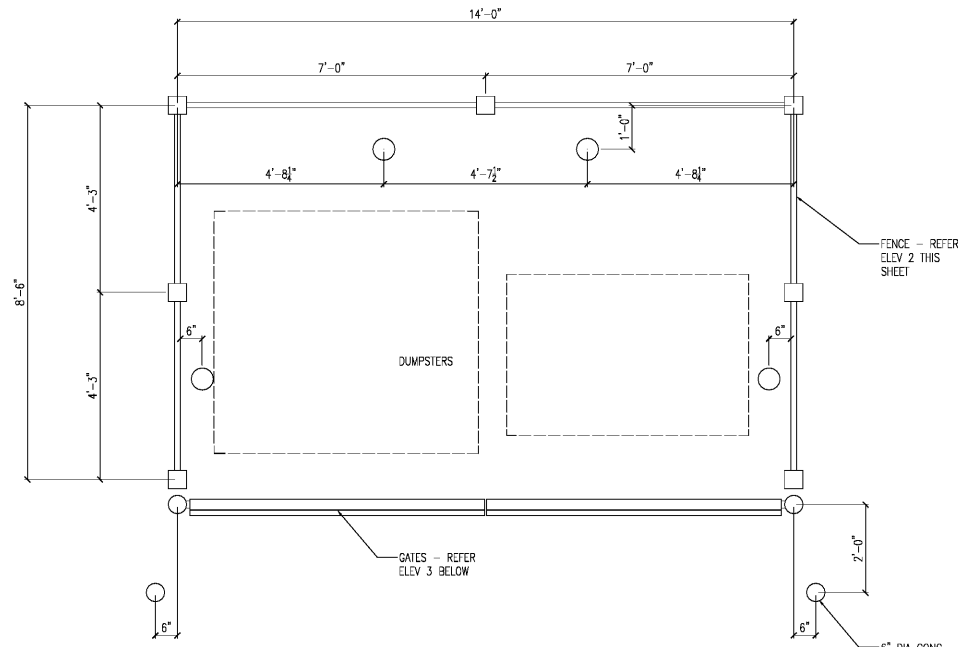
**TAKE 5 OIL CHANGE, LLC
STORAGE SYSTEM REVIEW**

SYSTEMS ARE DIVIDED INTO 2 SEPARATE PROCESSES.

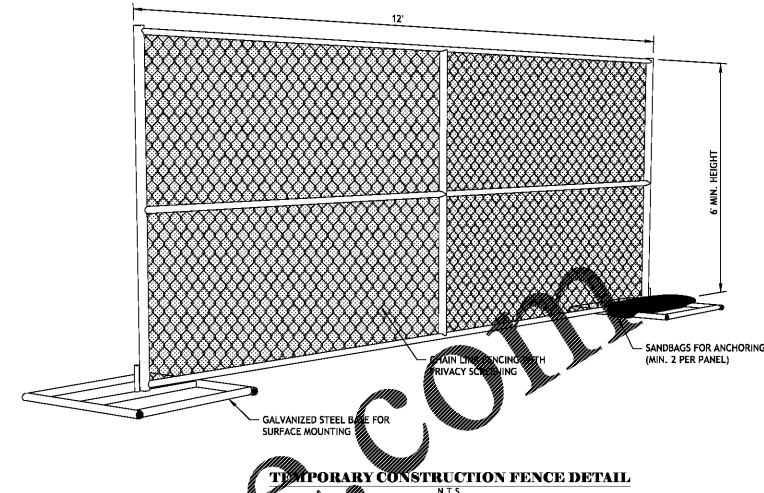
- USED OIL -**
AFTER A TAKE 5 TECHNICIAN DIRECTS AND GUIDES THE CUSTOMER OVER A SHALLOW TRENCH THE USED OIL IS DRAINED INTO A ROLLING DRAIN PAN THAT IS POSITIONED UNDER THE VEHICLE. THE OIL FILTER IS ALSO CHANGED ABOVE THE DRAIN PAN. WHEN NECESSARY, THE DRAIN PANS ARE EMPTIED TO DESIGNATED OIL TANKS VIA 1/2" GASOLINE-RATED HOSE, ROUTED THROUGH CHASES TO THE STORAGE ROOM. THE HOSES ARE CONNECTED VIA A VACUUM DIAPHRAGM PUMP, SO THE SYSTEM IS TOTALLY NON-PRESSURIZED. 100% OF TAKE 5S USED OIL AND OIL FILTERS ARE RECLAIMED AND RECYCLED BY OSHA CERTIFIED USED OIL RECYCLING COMPANIES.
- NEW OIL -**
WE STORE NEW BULK OILS IN RHINO GRAVITY FEED SYSTEMS INSIDE THE BAY AREAS. THESE SYSTEMS HAVE NO PUMPS OR PRESSURE, ARE APPROVED BY OSHA AND DOT, AND ARE LOCATED WITHIN A RECESSED AREA WITHIN THE SHOP. TAKE 5 ALSO CARRIES A MINIMUM AMOUNT OF RETAIL BOTTLED OILS FOR SPECIALTY VEHICLES AS NECESSARY.

NOTES -

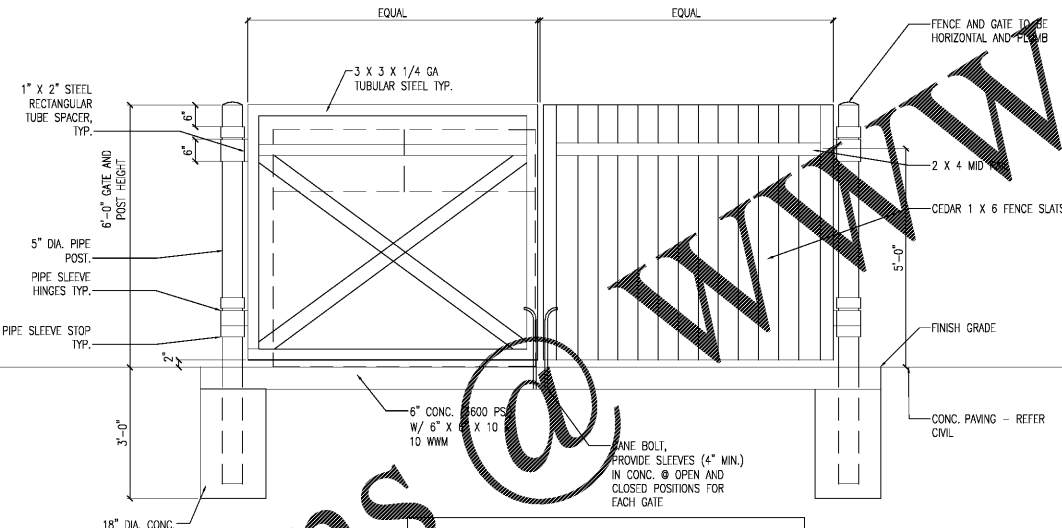
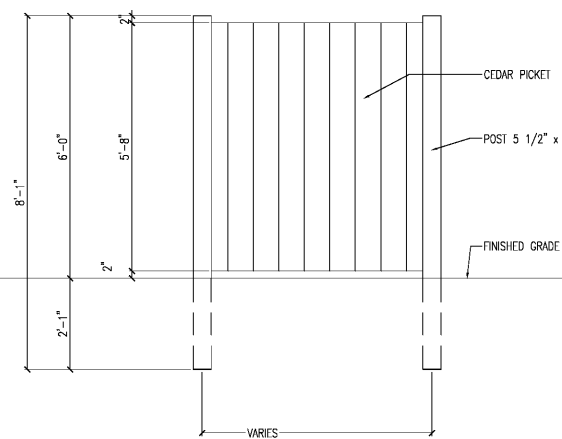
- TYPE OF LIQUIDS BEING STORED ARE CLASS III LUBRICANTS ONLY.
 - ALL TANKS ARE ABOVE GROUND, SINGLE WALL. 3 ARE STEEL AND 12 ARE HIGH-DENSITY POLYETHYLENE.
 - VOLUME OF TANKS:
 - WASTE OIL TANKS OF APPROXIMATELY 330 GALLONS EACH
 - NEW OIL RHINO TANKS OF 120 GALLONS EACH
 - NEW OIL RHINO TANKS OF 220 GALLONS EACH
- FOR CONTAINMENT - BULK TANKS ARE PLACED WITHIN RECESSED AREAS. THE RECESSED AREAS ARE CONNECTED VIA 3" CHASES TO THE SHALLOW TRENCHES, PROVIDING SECONDARY CONTAMINATION. EACH TRENCH MEASURES 10' X 3' X 30", YIELDING A TOTAL EXTRA VOLUME OF 1,800 GALLONS, IN ADDITION TO THE RECESSED AREAS WHERE THE TANKS ARE LOCATED.
- TAKE 5 DOES NOT INCORPORATE DRAINS IN THEIR SHOP, SHALLOW TRENCH, OR STORAGE AREAS. THE ONLY DRAIN IN A TAKE 5 IS LOCATED IN THE RESTROOM.
 - WE MOP OUR FLOORS, RINSING THE MOP IN A MOP SINK THAT IS CONNECTED DIRECTLY TO AN OIL SEPARATOR.
 - THE OIL SEPARATOR IS CLEANED/EMPTIED/MAINTAINED BY THE OSHA CERTIFIED RECYCLING COMPANY THAT COLLECTS AND RECYCLES THE USED OIL.
 - SOME TANKS ARE PLACED ON SHOP FLOOR BETWEEN BAYS.



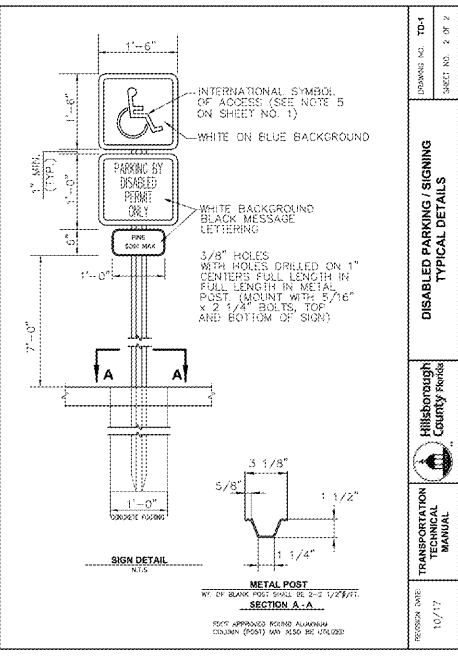
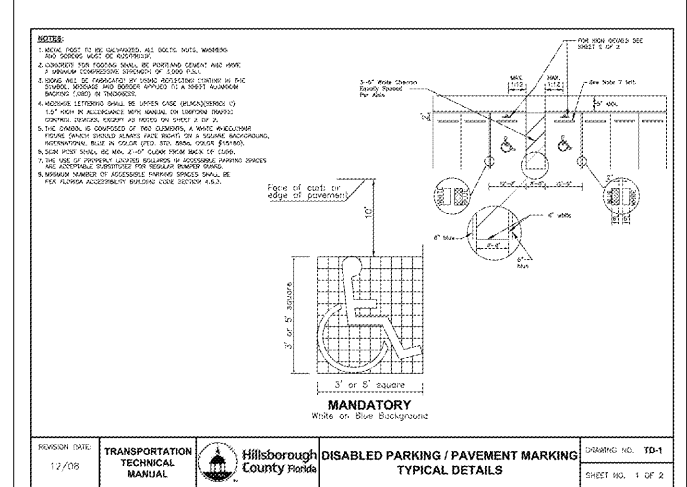
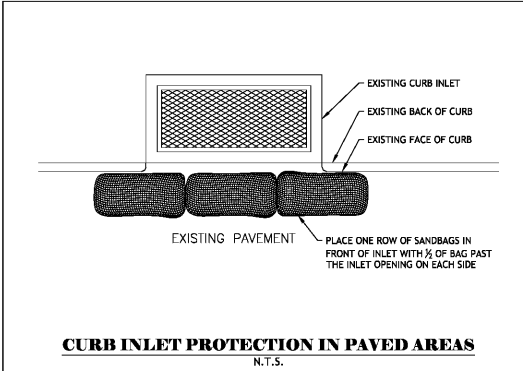
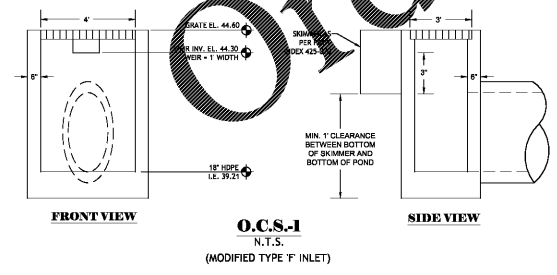
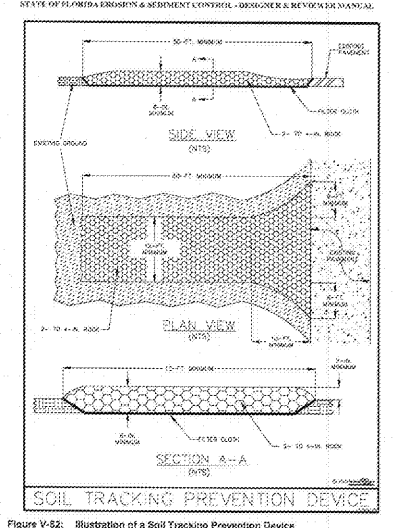
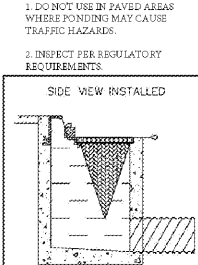
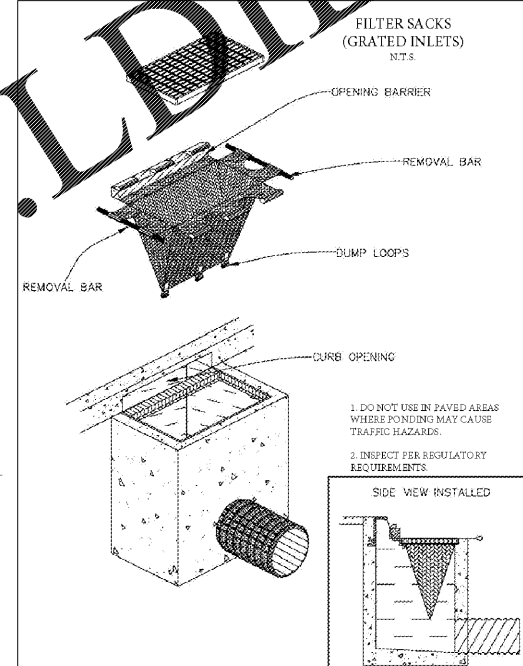
DUMPSTER SCREEN PLAN



TEMPORARY CONSTRUCTION FENCE DETAIL
N.T.S.



- NOTE:
- ALL HARDWARE TO BE GALVANIZED UNLESS OTHERWISE NOTED
 - ALL STEEL POSTS AND GATE FRAME TO BE PRIMED AND PAINTED WITH 2 COATS EACH. COLOR TO BE DARK BRONZE SW6076.
 - ALL STEEL MEMBERS TO BE SHOP WELDED. PROVIDE SHOP DRAWINGS FOR APPROVAL PRIOR TO FABRICATION. ALL STEEL TO BE PAINTED DARK BRONZE SW6076.
 - ALL METAL FRAMING, POST AND HARDWARE TO BE PRIMED AND PAINTED W/ MIN. 1 COAT PRIMER, AND 2 COATS FINISH. PAINT TO BE OIL BASED AND COLOR TO BE DARK BRONZE SW6076.



ISSUED FOR PERMITTING

DESIGNED BY:	TS	DATE:	12/07/19
CHECKED BY:	TS	APPROVED BY:	LB
DATE:	03/03/20	PER HILLSBOROUGH COUNTY COMMENTS:	
NO.:	1	PER FOOT COMMENTS:	
	2	PER HILLSBOROUGH COUNTY COMMENTS:	
	3	PER HILLSBOROUGH COUNTY COMMENTS:	

3 WORKING DAYS BEFORE YOU DIG
BEFORE YOU DIG CALL SUNSHINE STATE ONE CALL OF FLORIDA 1-800-432-4770

FOR THE LOCATION OF UNDERGROUND UTILITIES, THE CONTRACTOR SHALL VERIFY THE LOCATION OF ALL UTILITIES WITHIN AN APPROXIMATE 10' BUFFER OF THE PROPOSED EXCAVATION. THE CONTRACTOR SHALL BE RESPONSIBLE FOR ANY AND ALL DAMAGES WHICH MAY BE OCCASIONED BY ANY AND ALL UNDERGROUND UTILITIES.

LAURIE S. BURCAW, PE #46064

BEACON CIVIL ENGINEERING

LAND DEVELOPMENT ENGINEERS
8345 GUNN HIGHWAY
TAMPA, FL 33626

TAKE-5 OIL CHANGE OF SEFFNER

11909 E DR MARTIN LUTHER KING JR BLVD, SEFFNER, FL.

SHEET NAME:
CONSTRUCTION DETAILS

SHEET NUMBER:
C-10