

PLUMBING FIXTURE LOAD SCHEDULE

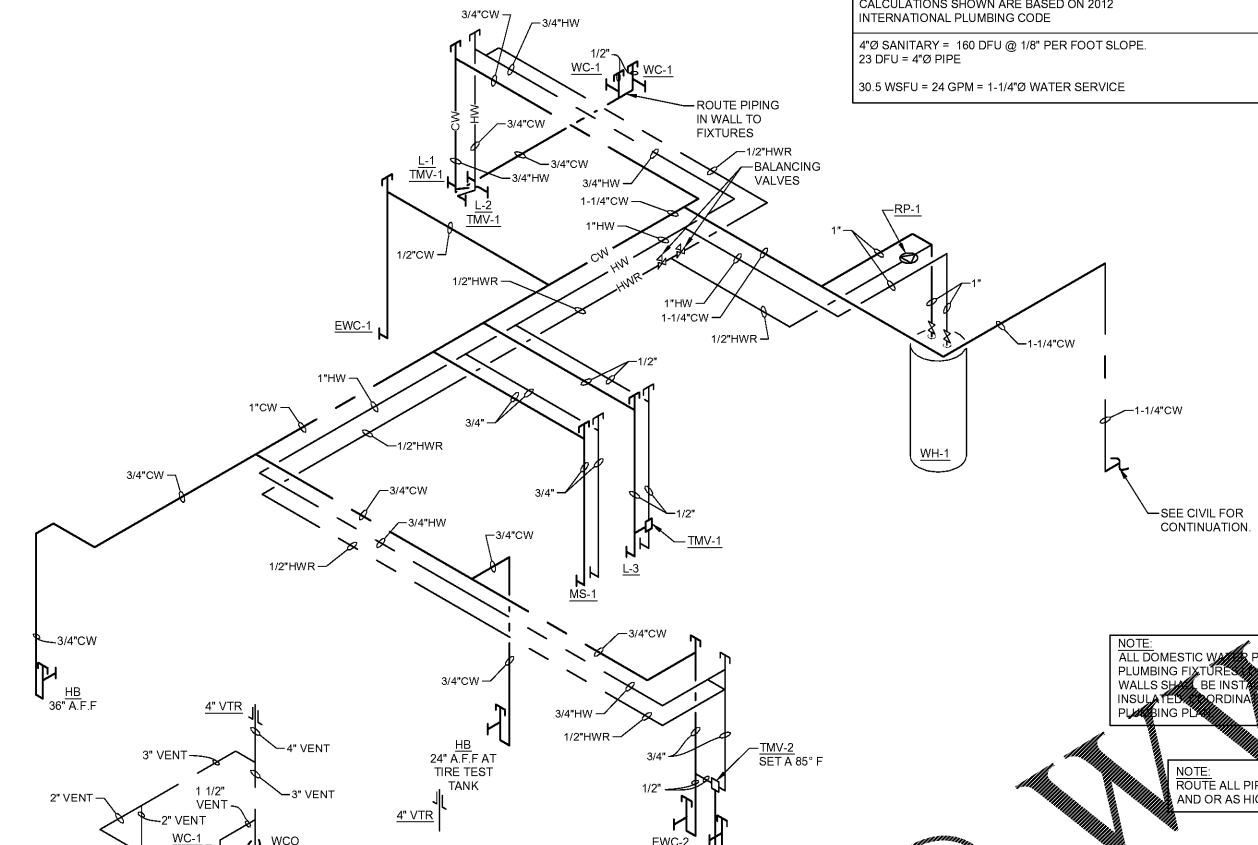
PLUMBING FIXTURE	QTY	FIXTURE UNITS				REMARKS
		DFU	TOTAL DFU	WSFU EACH	TOTAL WSFU	
WATER CLOSET	2	4	8	5	10	TANK
LAVATORY	2	1	2	2	4	
SERVICE SINK	2	2	4	3	6	
FLOOR DRAIN	4	2	8	---	---	
HOSE BIBB	2	---	---	5	10	
WATER COOLER	2	1/2	1	0.25	0.5	
TOTALS			23		30.5	

NOTE:
 CALCULATIONS SHOWN ARE BASED ON 2012 INTERNATIONAL PLUMBING CODE
 4"Ø SANITARY = 160 DFU @ 1/8" PER FOOT SLOPE.
 23 DFU = 4"Ø PIPE
 30.5 WSFU = 24 GPM = 1-1/4"Ø WATER SERVICE

PLUMBING FIXTURE AND PIPING CONNECTION SCHEDULE

TAG	DESCRIPTION	MANUFACTURER MODEL	SIZE	VALVE/FAUCET	CONNECTIONS			REMARKS
					DRAIN	VENT	C.W. H.W.	
WC-1	WATER CLOSET FLOOR MTD. FLUSH TANK	AMERICAN STANDARD #2467.016	ELONGATED	INTEGRAL WITH TANK	4	2	1/2	MOUNT 18" A.F.F HANDICAP
L-1	LAVATORY HANDICAP-CENTERSET	AMERICAN STANDARD #0124.024	20"x18" VITREOUS CHINA	CHICAGO FAUCET 802-V317CP	1 1/2	1 1/2	1/2	MOUNT 34" A.F.F HANDICAP 0.5 GPM AERATOR - CHICAGO FAUCET - E2805JKCP
L-2	LAVATORY HANDICAP-CENTERSET	ELKAY ELVW02219CS	22"x19" STAINLESS STEEL	CHICAGO FAUCET 802-V317CP	1 1/2	1 1/2	1/2	MOUNT 34" A.F.F HANDICAP 0.5 GPM AERATOR - CHICAGO FAUCET - E2805JKCP
L-3	SERVICE AREA FLOOR MOUNTED SINK	FIAT #FL-1	23"x22"x14" PLASTIC	A-1 FAUCET	1 1/2	1 1/2	1/2	DECK MOUNTED FAUCET PROVIDED WITH SINK
MS-1	FLOOR MOUNTED MOP SINK	FIAT #MSB-2424	24"x24"	MODEL 830-AA FAUCET W/ INTEGRAL VACUUM BREAKER	2	1 1/2	3/4	889-CC 24" MOP BRACKET, 1453-BB STRAINER
FD-1	FLOOR DRAIN	J.R. SMITH #2010CA-NB	6" ROUND TOP		3	2		CAST IRON BODY PROVIDE SURE SEAL SS3000
FD-2	FLOOR DRAIN	J.R. SMITH #2350-NB	8 1/2" ROUND WITH SEDIMENT BUCKET		3	2		CAST IRON BODY PROVIDE SURE SEAL SS3000
FD-3	FLOOR DRAIN	J.R. SMITH #3061	12 1/2"Ø WITH SEDIMENT BUCKET		3	2		CAST IRON BODY PROVIDE SURE SEAL SS3000
WCO	WALL CLEANOUT	J.R. SMITH #4472T	STAINLESS STEEL COVER PLATE		SEE PLANS			
FCO	FLOOR CLEANOUT	J.R. SMITH #4020	5 3/4"Ø ROUND "TWIST TO FLOOR" ADJUSTABLE TOP		SEE PLANS			NICKEL BRONZE TOP
GCO	GRADE CLEANOUT	J.R. SMITH #4250	8 3/4"Ø ROUND CLEAN OUT FOR UNFINISHED AREA		SEE PLANS			CAST IRON TOP
HB	HOSE BIBB WITH INTEGRAL VACUUM BREAKER SPOUT	ARROWHEAD BRASS HOSE BIBB 361 WITH NIBCO 90° ELBOW 707-3-5-LF	3/4" MALE 1/2" THREADED OUTLET			3/4		90° ELBOW WITH 3/4" SOLDER INLET AND 3/4" THREADED OUTLET, AND INTEGRATED VACUUM BREAKER MOUNT 38" AFF - UNO
EWC-1	BOTTLE FILLING BI-LEVEL WATER COOLER	ELKAY E2818WSL			1 1/2	1 1/4	3/8	38 3/8" ORIFICE HEIGHT AFF FOR HIGH FOUNTAIN, PROVIDE W/ APRON MODEL #LKAPREZL
EWC-2	WATER COOLER				1 1/4	1 1/4	3/8	32 7/8" ORIFICE HEIGHT A.F.F.
TMV-1	THERMOSTATIC MIXING VALVE	POWERS FLM4	1/2"			3/4	3/4	SET FOR 110° F HOT WATER ASSE 1070 CERTIFIED
TMV-2	THERMOSTATIC MIXING VALVE	POWERS S-150-10	1/2"			1/2	1/2	SET FOR 85° F HOT WATER ASSE 1071 CERTIFIED
RP-1	RECIRCULATION PUMP	GRUNDFOS UP15-10 BS/TLC	3 FT HEAD AT 3 GPM				1/2	SINGLE PHASE, 115 V 6W, PROVIDE WITH TIMER AND HONEYWELL AQUASTAT L6006C

ACCEPTABLE MANUFACTURERS FOR EQUIVALENT OF SCHEDULE PRODUCT (NO OTHER SUBSTITUTIONS WILL BE ALLOWED):
 * SEE SPECIFICATIONS
NOTES & REMARKS:
 1. COLOR OF FIXTURES SHALL BE WHITE, UNLESS NOTED OTHERWISE.
 2. ALL SINKS AND LAVATORIES SHALL HAVE MINIMUM 17 GAUGE TRAPS, WITH CLEAN OUT PLUGS AND WALL ESCUTCHEONS, CHROME PLATED, OFFSET TRAP ON DRAIN LINE, TAILPIECE WITH STRAINER, HANDI-SHIELD VINYL COVERED PIPE INSULATION WITH HOOD OVER NEW DRAIN LINE AND HOT AND COLD WATER LINES.
 3. ALL FIXTURES SHALL HAVE INDIVIDUAL WALL SUPPLY STOPS, LOOSELY OPERATED, WITH WALL ESCUTCHEONS, CHROME PLATED.
 4. TOILET SEATS: ELONGATED WITH OPEN FRONT AND CONTAINING ANTI-MICROBIAL AGENT, BEMIS MODEL #3155CT.
 5. WATER COOLERS FURNISHED WITH INTEGRAL VOLUME REGULATORS, HANGERS, WALL MOUNTING PLATE AND 5 YEAR WARRANTY, PROVIDE BOTTLE FILLER ON LOW WATER COOLER.
 6. LAVATORIES L-1 AND L-2 SHALL BE PROVIDED WITH A VANDAL RESISTANT 0.5 GPM AERATOR - CHICAGO FAUCET MODEL E2805JKCP.
 7. ALL TOILET FLUSH CONTROLS SHALL BE PROVIDED ON THE WIDE SIDE OF THE FIXTURE. (AWAY FROM WALL)
 8. PROVIDE WALL MOUNTED SERVICE FAUCET, MOP HANGER BRACKET AND STAINLESS STEEL STRAINER AT MS-1 LOCATION.
 9. ALL FIXTURES SHALL BE SUBMITTED AND APPROVED BY ENGINEER.
 10. PROVIDE 4" DEEP-SEAL TRAP FOR ALL FLOOR DRAINS.



2 DOMESTIC WATER PIPING DIAGRAM
 SCALE: N.T.S.

SLOPE OF HORIZONTAL DRAINAGE PIPE

SIZE	MINIMUM SLOPE
2-1/2" OR LESS	1/4" / FT OR 2%
3" TO 6"	1/8" / FT OR 1%

NOTE:
 SCHEDULE BASED ON INTERNATIONAL CODE, SECTION 704 - TABLE 704.1

1 WASTE & VENT PIPING DIAGRAM
 SCALE: N.T.S.

GAS FIRED WATER HEATER SCHEDULE

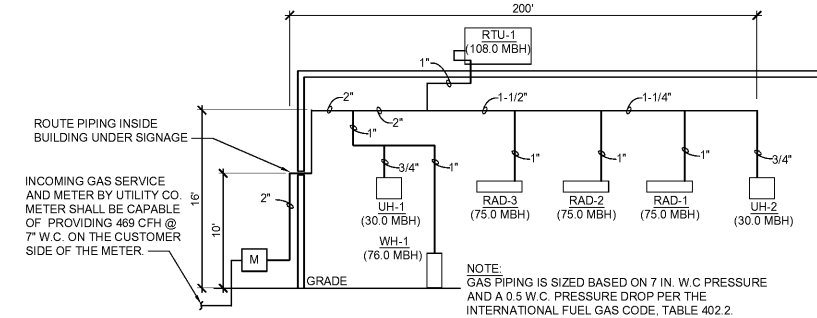
MARK	AREA SERVED	MANUFACTURER	MODEL NUMBER	STORAGE CAPACITY	RECOVERY CAPACITY	MBH INPUT	VOLTS/ PHASE
WH-1	BUILDING	A. O. SMITH	BTX-80	50 GAL	83 GPH @ 100° TEMP RISE	76	120/1

ACCEPTABLE MANUFACTURERS FOR EQUIVALENT OF SCHEDULE PRODUCT (NO OTHER SUBSTITUTIONS WILL BE ALLOWED):
 * SEE SPECIFICATIONS
NOTES:
 1. WATER HEATER FURNISHED AND INSTALLED BY CONTRACTOR.
 2. PROVIDE MANUFACTURERS CONCENTRIC VENT TERMINATION KIT.
 3. SET DISCHARGE TEMPERATURE OF WATER HEATER TO OPERATE AT 140 DEG F MAX. (FOR MOP SINK USE ONLY, SEE PLUMBING NOTES AND WATER PIPING DIAGRAM)
 4. ROUTE T&P RELIEF DRAIN AND OTHER DRAIN PIPING TO FLOOR DRAIN, TERMINATE 2" ABOVE RIM LEVEL.
 5. PROVIDE PRE-MANUFACTURED 18" HEIGHT STEEL WATER HEATER STAND RATED FOR A 50 GALLON WATER HEATER.

GAS PRESSURE REGULATOR SCHEDULE

MANUFACTURER	MODEL NUMBER	CFH CAPACITY	INLET PRESSURE	OUTLET PRESSURE	SPRING COLOR RANGE-ORIFICE
ACTARIS	B-31R 3/4"x3/4"	UP TO 150	2 P.S.I.G.	7 INCHES W.C.	LT.GREEN 5.5 TO 8.0 INCHES W.C. -1/8"
ACTARIS	B-31R 3/4"x1"	150 TO 400	2 P.S.I.G.	7 INCHES W.C.	LT.GREEN 5.5 TO 8.0 INCHES W.C. -1/4"
ACTARIS	B-31R 1"x1"	400 TO 800	2 P.S.I.G.	7 INCHES W.C.	LT.GREEN 5.5 TO 8.0 INCHES W.C. -3/8"

NOTES:
 1. REGULATOR ARE FULL CAPACITY INTERNAL RELIEF TYPE.
 2. REGULATOR TO BE INSTALLED WITH RELIEF VENT IN POSITION TO PREVENT ENTRANCE OF WATER (PROVIDE SCREENED VENT ELBOW AS REQUIRED).
 3. TAG REGULATOR WITH INLET AND OUTLET SETTINGS, AFFIX WARNING 'DO NOT REMOVE'.

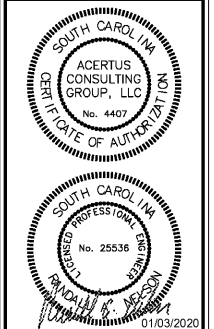


3 GAS PIPING SCHEMATIC
 SCALE: N.T.S.

Order Plans @ WWW.ACCROENGINEERING.COM



NEW FCAC STORE
 2020 ER
 1762 STATE RD
 SUMMERVILLE, SC



ISSUE BLOCK

01/06/20	REV #1
----------	--------

PROPERTY NO.: 317910
 6 DIGIT NO.: 798862
 4 DIGIT NO.: 013K
 AOR PROJECT NUMBER: 1955867
 TO PERMIT: DATE: 12-20-19
 TO BID: DATE: ###-##-##

SHEET TITLE:
PLUMBING SCHEDULES AND RISERS

SHEET NUMBER:
P6