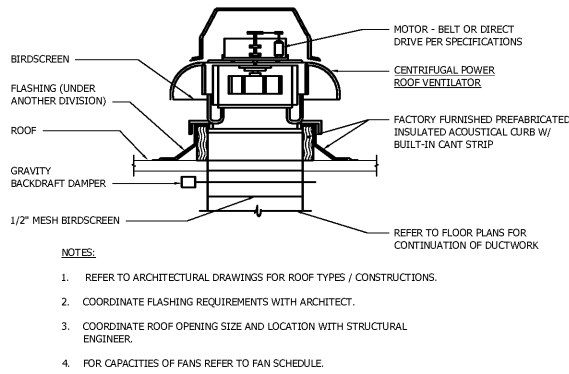
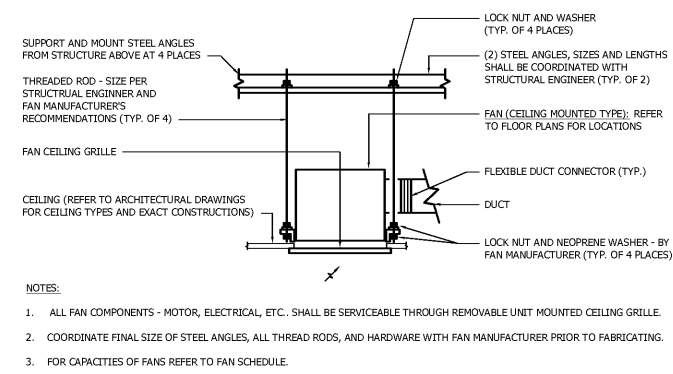


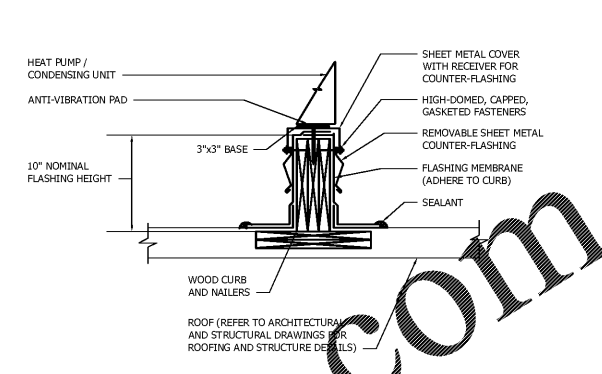
1 DETAIL - TYPICAL EXHAUST DUCT VENT AT EXTERIOR WALL
SCALE: NONE



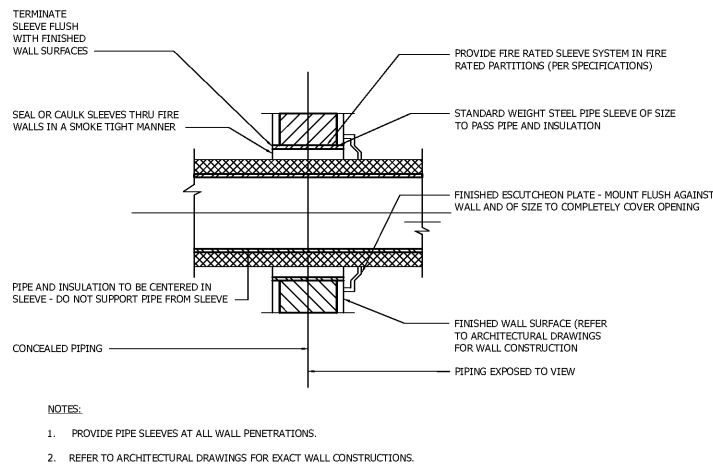
2 DETAIL - TYPICAL CENTRIFUGAL ROOF MOUNTED DOWN BLAST EXHAUST FAN
SCALE: NONE



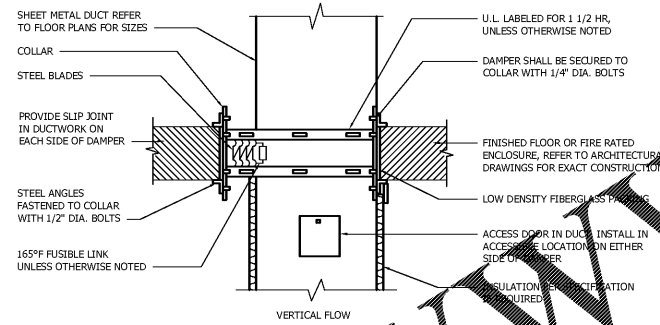
3 DETAIL - TYPICAL CEILING MOUNTED EXHAUST FAN MOUNTING
SCALE: NONE



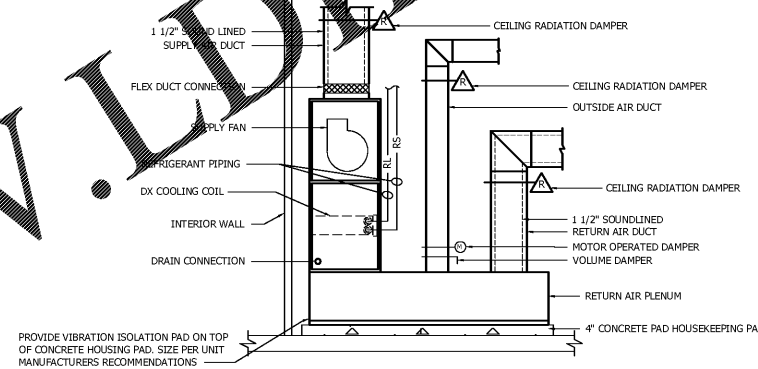
4 DETAIL - TYPICAL CONDENSING UNIT SUPPORT ON ROOF
SCALE: NONE



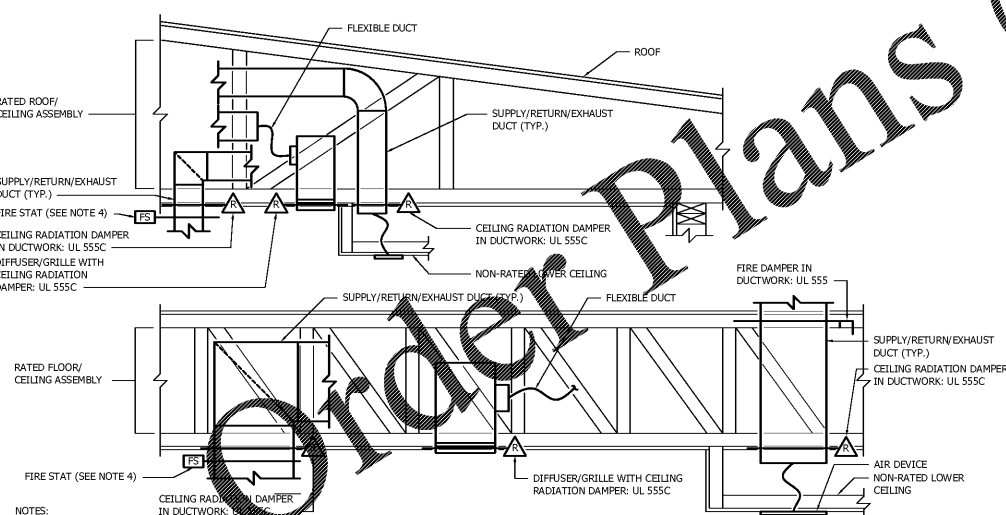
5 DETAIL - TYPICAL PIPE SLEEVE THRU INTERIOR WALL
SCALE: NONE



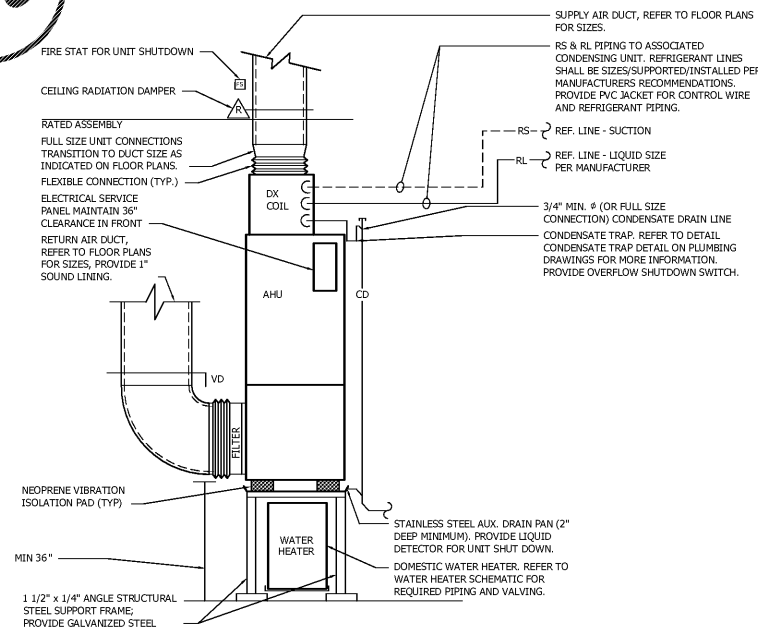
6 DETAIL - TYPICAL HORIZONTAL MOUNTED FIRE DAMPER
SCALE: NONE



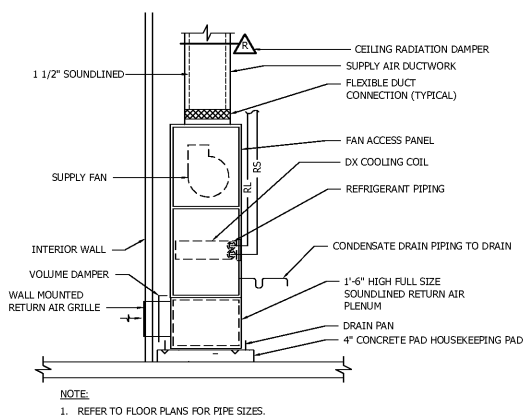
7 DETAIL - TYPICAL SPLIT SYSTEM HEAT PUMP - COMMON AREA AIR HANDLING UNITS
SCALE: NONE



8 DETAIL - TYPICAL HORIZONTAL UL FLOOR/CEILING/ROOF RATED ASSEMBLY PENETRATIONS
SCALE: NONE



9 DETAIL - TYPICAL UNIT WATER HEATER AND SPLIT SYSTEM AIR HANDLING UNIT (IL UNITS ONLY)
SCALE: NONE



10 DETAIL - TYPICAL SPLIT SYSTEM HEAT PUMP - APARTMENT AIR HANDLING UNITS (AL AND MC UNITS ONLY)
SCALE: NONE

bct
architect | designer
BCT ARCHITECTS
100 North Charles Street, 18th floor
Baltimore, MD 21201
410.837.2727
www.bctarchitects.com

structural engineer
CARROLL ENGINEERING, INC.
215 Shilling Circle, Suite 102
Hunt Valley, MD 21031
410.785.7423
www.carrollengineering.com

mep engineer
KIBART, INC.
901 Dulaney Valley Road, Suite 301
Towson, MD 21286
410.494.1111
www.kibart.com

civil engineer
H.A. Inc.
29A Leinback Drive
Charleston, SC 29407
1.843.755.1166
www.hainc.com

landscape architect
LAND DESIGN, LLC
200 South Peyton Street
Alexandria, VA 22314
1.703.540.7754
www.LandDesign.com

interior designer
AUMEN ASNER
100 North Charles Street, Suite 910
Baltimore, MD 21201
410.837.2707
www.aumenasner.com

code + life safety consultant
KOFFEL ASSOCIATES, INC.
8815 Centre Park Dr., Suite 200
Columbia, MD 21045
410.794.1610
www.koffel.com

project
DHEC Project Number #: 637063
BEES FERRY SENIOR LIVING
3097 Bees Ferry Road
Charleston, South Carolina 29414

client | owner
3097 BEES FERRY ROAD, LLC
3535 Colonel Vandenberg Circle
Mount Pleasant, SC 29466
1.843.296.3985

seal | signature

revisions
No. Date Title

sheet title

DETAILS - MECHANICAL
Issue date 10/18/2019
sheet number
M-502

© 2019 BCT Architects LLC 17-20