

architect (designer) BCT ARCHITECTS
100 North Charles Street, 18th floor
Baltimore, MD 21201
410.637.2722
www.bctarchitects.com

structural engineer CARROL ENGINEERING, INC.
215 Shilling Circle, Suite 102
Hunt Valley, MD 21031
410.785.7423
www.carrolengineering.com

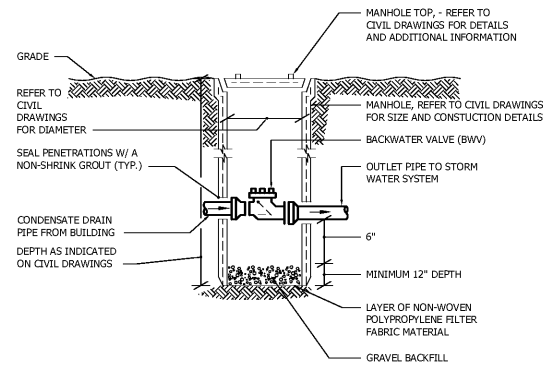
mep engineer KIBART, INC.
901 Dulany Valley Road, Suite 301
Towson, MD 21284
410.494.1111
www.kibart.com

civil engineer H.A. Inc.
29A Leibniz Drive
Charleston, SC 29407
1.843.752.1166
www.hainc.com

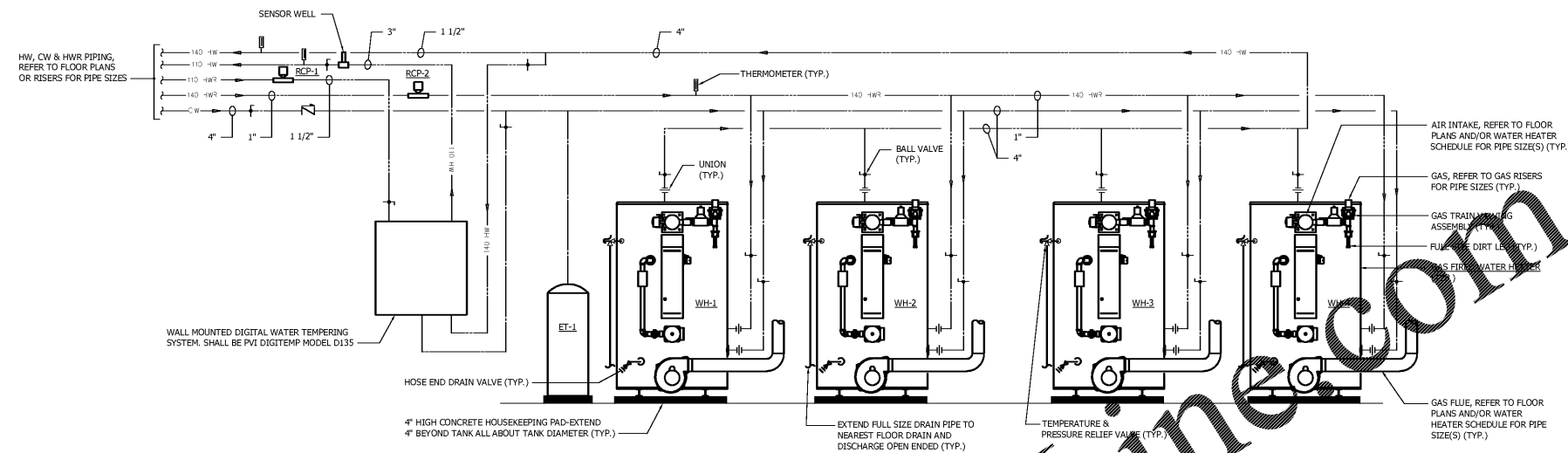
landscape architect LAND DESIGN, LLC
200 South Peyton Street
Alexandria, VA 22314
1.703.542.7754
www.LandDesign.com

interior designer ALUMEN ASNER
100 North Charles Street, Suite 510
Baltimore, MD 21201
410.637.2767
www.alumenasner.com

code + life safety consultant KOFFEL ASSOCIATES, INC.
8815 Centre Park Dr., Suite 200
Columbia, MD 21045
410.794.1610
www.koffel.com

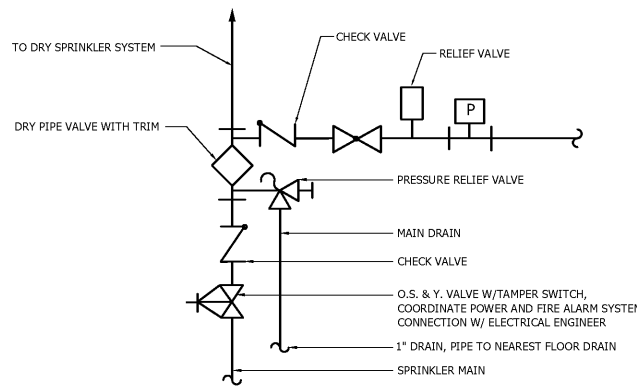


① DETAIL - TYPICAL BACKWATER VALVE PIT
SCALE: NONE

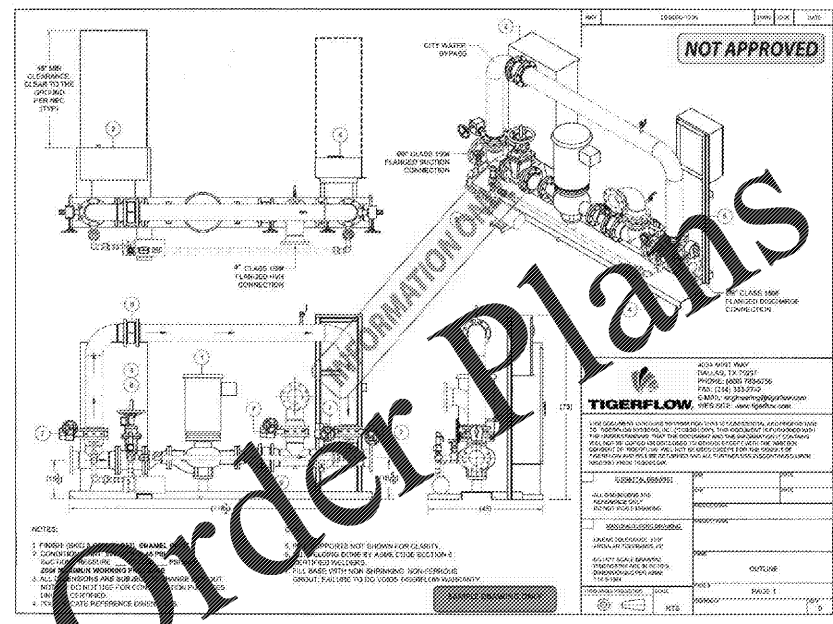


- NOTES:
1. PROVIDE SUPPORT ON PIPE AT CONNECTION TO EXPANSION TANK PER EXPANSION TANK MANUFACTURERS RECOMMENDATIONS.
 2. REFER TO WATER HEATER SCHEDULE FOR UNIT CAPACITIES AND ADDITIONAL INFORMATION.
 3. INSTALL ETV SENSOR AND WELL WITHIN 3 TO 6 FEET OF VALVE.

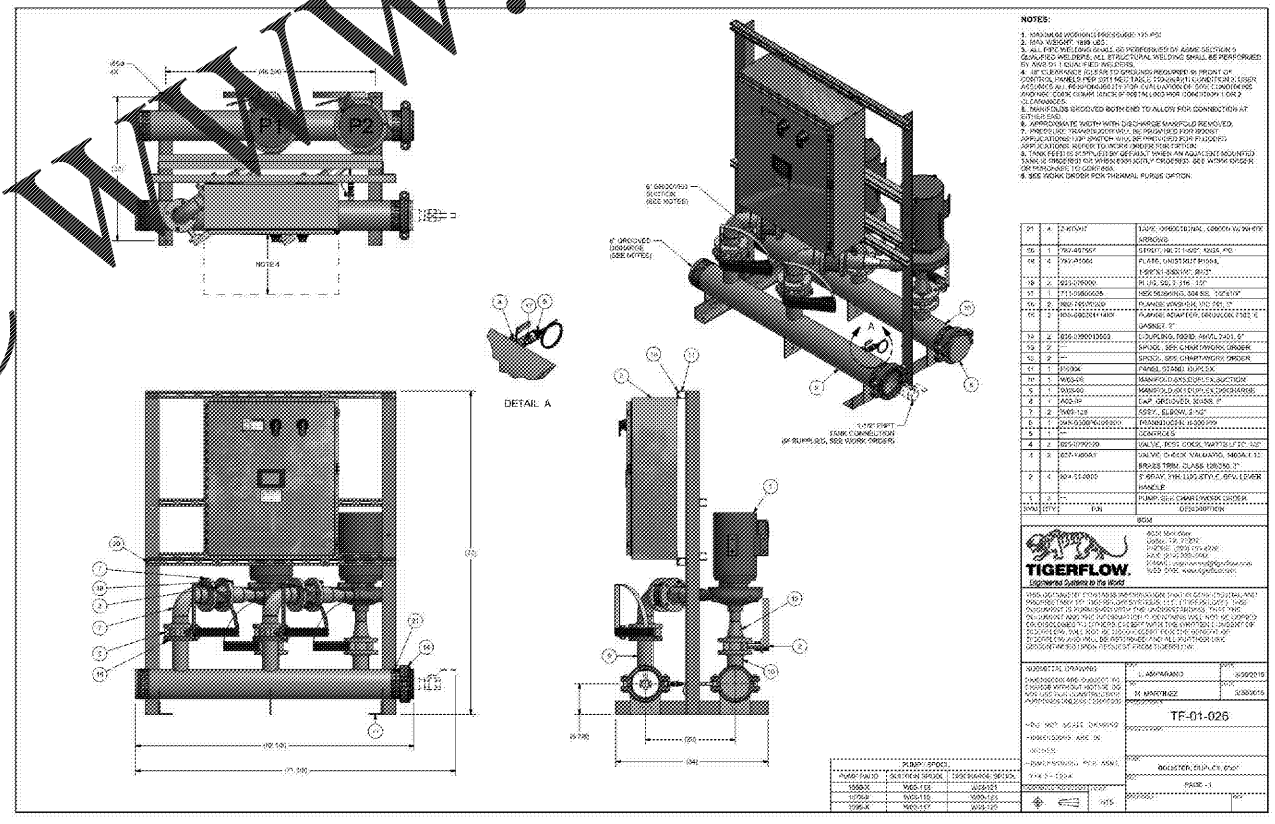
② DETAIL - GAS FIRED DOMESTIC WATER HEATER PIPING/VALVING DIAGRAM
(WITH HOT WATER RECIRCULATION)
SCALE: NONE



③ DETAIL-TYPICAL DRY PIPE SPRINKLER ZONE VALVING
SCALE: NONE



④ DETAIL - FIRE/JOCKEY BOOSTER PUMP PACKAGE
SCALE: NONE



⑤ DETAIL - DOMESTIC WATER BOOSTER PUMP PACKAGE
SCALE: NONE

Order Plans

WWW.LDILLINE.COM

client | owner BEES FERRY SENIOR LIVING
3097 Bees Ferry Road
Charleston, South Carolina 29414

client | owner 3097 BEES FERRY ROAD, LLC
3535 Colonial Vandalheim Circle
Mount Pleasant, SC 29466
1.843.296.3985

10/18/2019

revisions	No.	Date	Title