

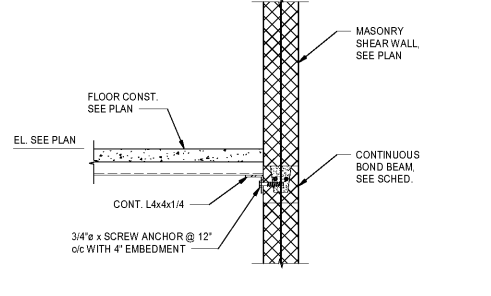
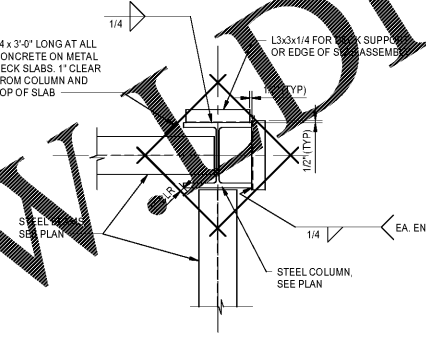
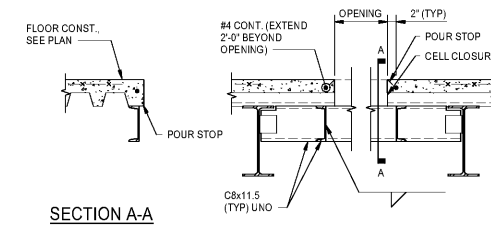
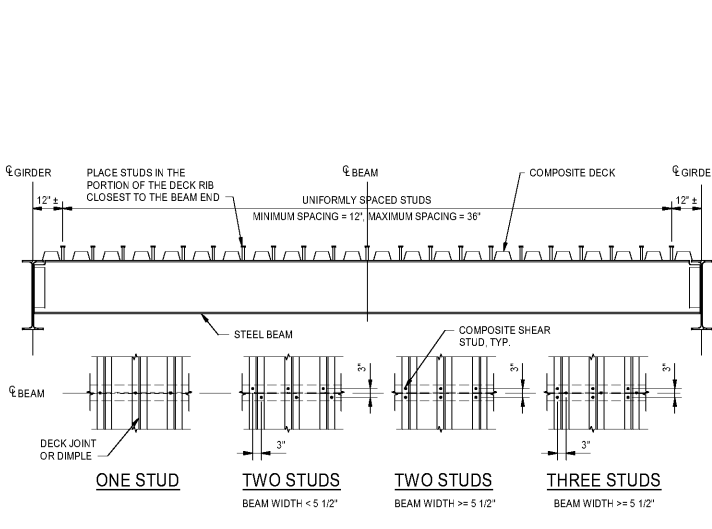
**COMPOSITE BEAM DETAIL**  
 3/4" = 1'-0"  
 S-512

**COMPOSITE GIRDER WITH SLAB REINFORCING DETAIL**  
 3/4" = 1'-0"  
 S-512

**SLAB ON DECK CONSTRUCTION JOINT DETAIL**  
 3/4" = 1'-0"  
 S-512

**METAL DECK ATTACHMENTS DETAIL**  
 3/4" = 1'-0"  
 S-512

**1 1/2" ROOF DECK**  
**3" ROOF DECK**  
**2" OR 3" COMPOSITE DECK**  
**FORM DECK**



**COMPOSITE STUD PLACEMENT AT BEAM DETAIL**  
 1/2" = 1'-0"  
 S-512

**FLOOR OPENING DETAIL**  
 3/4" = 1'-0"  
 S-512

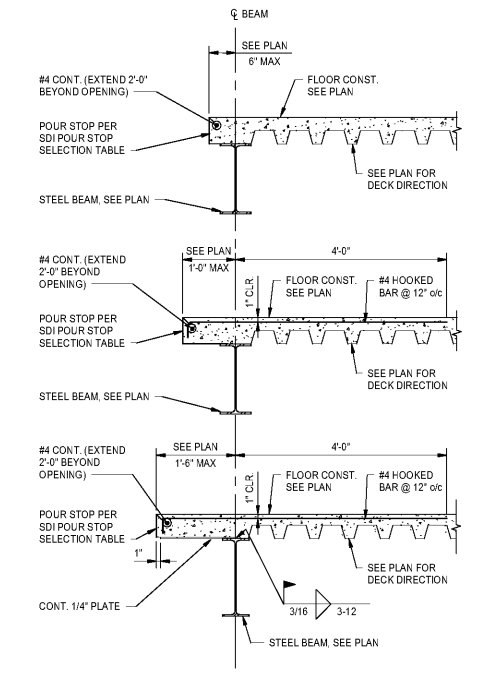
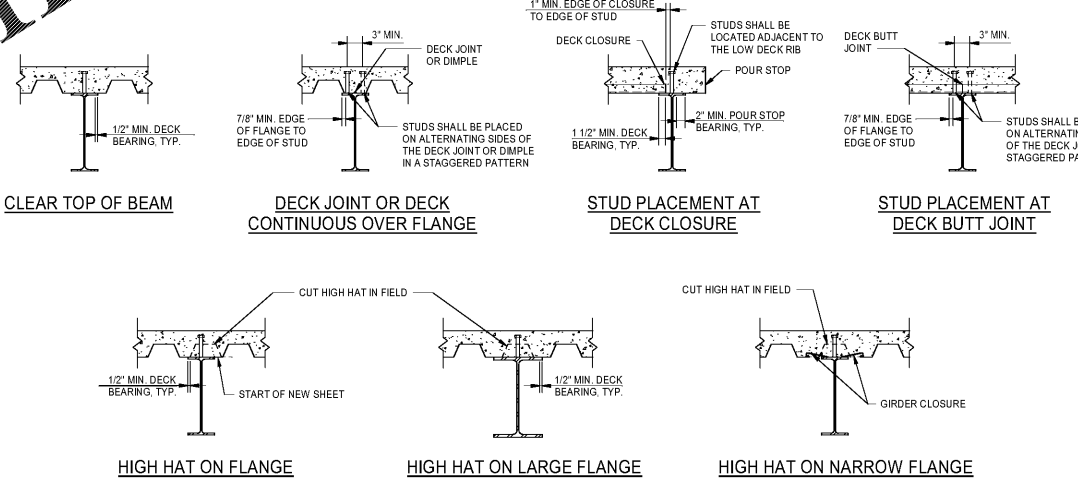
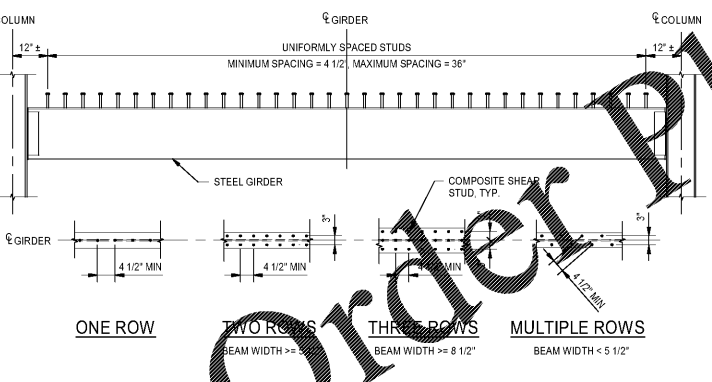
**METAL DECK SUPPORT AT COLUMN DETAIL**  
 3/4" = 1'-0"  
 S-512

**METAL DECK SUPPORT AT MASONRY WALL DETAIL**  
 3/4" = 1'-0"  
 S-512

NOTES:  
 1. SEE PLANS FOR DIAMETER, LENGTH, AND NUMBER OF HEADED STUDS.  
 2. START LAYOUT OF STUDS AT THE BEAM ENDS AND WORK TOWARDS THE BEAM CENTER WITH UNIFORM SPACES BETWEEN THE STUDS USING ONE STUD PER DECK RIB AS SPACE PERMITS. IF TWO OR THREE STUDS PER DECK RIB ARE REQUIRED ADJUST STUD LAYOUT PER THE APPROPRIATE DETAILS. ALWAYS STARTING AT THE BEAM ENDS AND WORKING TOWARDS THE BEAM CENTER, LAYOUT ALL STUDS ALONG A BEAM PRIOR TO INSTALLING INCASE LAYOUT ADJUSTMENTS ARE REQUIRED.  
 3. SHOP DRAWINGS SHOWING HEADED STUD LAYOUTS AND DETAILS SHALL BE SUBMITTED FOR REVIEW PRIOR TO INSTALLATION.  
 4. SEE COMPOSITE DECK AND STUD DETAIL FOR ADDITIONAL INFORMATION.

NOTES:  
 1. SEE ARCHITECTURAL AND MECHANICAL DRAWINGS FOR SIZE AND LOCATION OF OPENINGS.  
 2. THIS DETAIL SHALL APPLY FOR ALL OPENINGS GREATER THAN 12" SQUARE. IF FLOOR OPENING IS 12" SQUARE OR LESS, PROVIDE 16# REBAR @ 1'-0" WIDE AROUND OPENING PERIMETER SCREWED TO DECK.

NOTE:  
 1. THIS DETAIL APPLIES TO CONDITIONS WHERE NO BEAMS FRAME INTO THE SIDE OF AN INTERIOR COLUMN OR AT THE OUTSIDE OF EXTERIOR COLUMNS.



**COMPOSITE STUD PLACEMENT AT GIRDER DETAIL**  
 1/2" = 1'-0"  
 S-512

**COMPOSITE DECK AND STUD DETAILS**  
 3/4" = 1'-0"  
 S-512

**EDGE OF SLAB AT FLOOR OPENING DETAIL**  
 3/4" = 1'-0"  
 S-512

NOTES:  
 1. DECK NOT SHOWN FOR CLARITY. SEE COMPOSITE DECK AND STUD DETAIL FOR ADDITIONAL INFORMATION.  
 2. SEE PLANS FOR DIAMETER, LENGTH, AND NUMBER OF HEADED STUDS.  
 3. START LAYOUT OF STUDS AT THE GIRDER ENDS AND WORK TOWARDS THE GIRDER CENTER WITH UNIFORM SPACES BETWEEN THE STUDS USING ONE ROW AS SPACE PERMITS. IF TWO OR THREE ROWS OF STUDS ARE REQUIRED ADJUST STUD LAYOUT PER THE APPROPRIATE DETAILS. LAYOUT ALL STUDS ALONG A GIRDER PRIOR TO INSTALLING INCASE LAYOUT ADJUSTMENTS ARE REQUIRED.  
 4. SHOP DRAWINGS SHOWING HEADED STUD LAYOUTS AND DETAILS SHALL BE SUBMITTED FOR REVIEW PRIOR TO INSTALLATION.

NOTES:  
 1. WWF NOT SHOWN FOR CLARITY, HOWEVER EXTEND WWF TO WITHIN 1" FROM EDGE OF SLAB, TYP.

NOTE:  
 1. WWF NOT SHOWN FOR CLARITY, HOWEVER EXTEND WWF TO WITHIN 1" FROM EDGE OF SLAB, TYP.

**TYPICAL STEEL DETAILS**

issue date 10/18/2019

sheet number

**S-512**