



architect / designer
BCT ARCHITECTS
 100 North Charles Street, 18th floor
 Baltimore, MD 21201
 410.837.2727
 www.bctarchitects.com

structural engineer
CARROLL ENGINEERING, INC.
 215 Shilling Circle, Suite 102
 Hunt Valley, MD 21031
 410.785.7423
 www.carrolleengineering.com

mep engineer
KIBART, INC.
 301 Dutanley Valley Road, Suite 301
 Towson, MD 21204
 410.454.1111
 www.kibart.com

civil engineer
DENNIS CORPORATION
 1800 Huger Street
 Columbia, SC 29201
 803.360.6666
 www.denniscorporation.com

landscape architect
LAND DESIGN, LLC
 200 South Peyton Street
 Alexandria, VA 22314
 1.703.540.7704
 www.LandDesign.com

interior designer
AUMEN ASNER
 100 North Charles Street, Suite 910
 Baltimore, MD 21201
 410.837.2767
 www.aumenasner.com

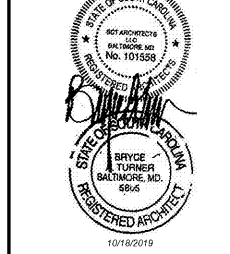
code & life safety consultant
KOFFEL ASSOCIATES, INC.
 8815 Centre Park Dr., Suite 200
 Columbia, MD 21045
 410.794.6110
 www.koffel.com

project
 DHEC Project Number 6137063

BEES FERRY SENIOR LIVING
 3097 Bees Ferry Road
 Charleston, South Carolina 29414

client / owner
3097 BEES FERRY ROAD, LLC
 3535 Colonel Vanderhulst Circle
 Mount Pleasant, SC 29466
 1.843.296.3985

seal / signature



revisions

No.	Date	Title

sheet title

issue date

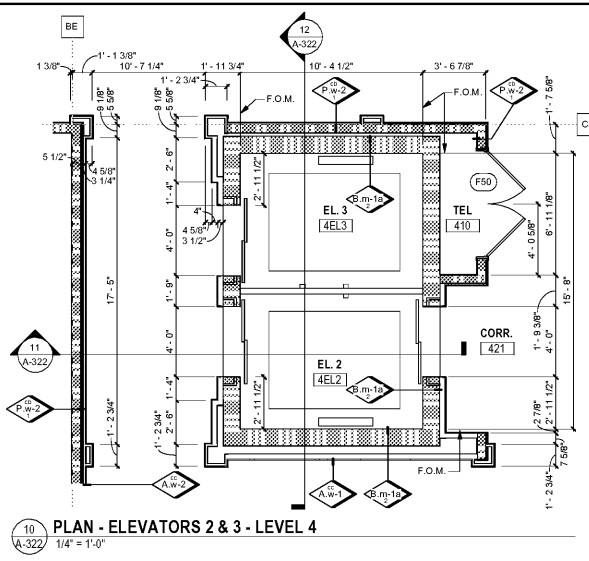
sheet number

ELEVATOR PLANS & SECTIONS

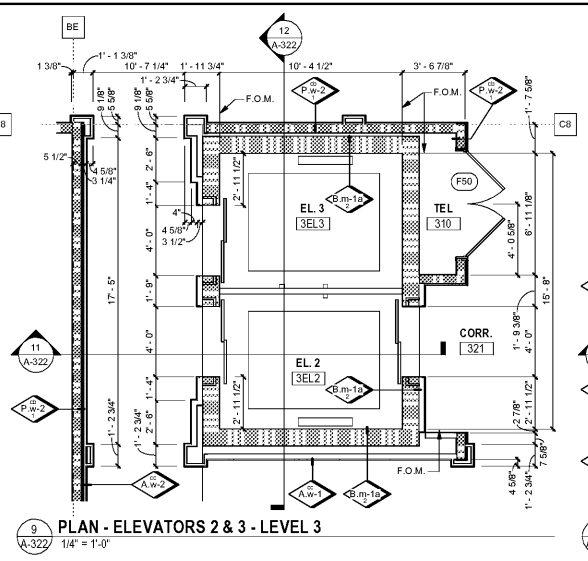
10/18/2019

A-322

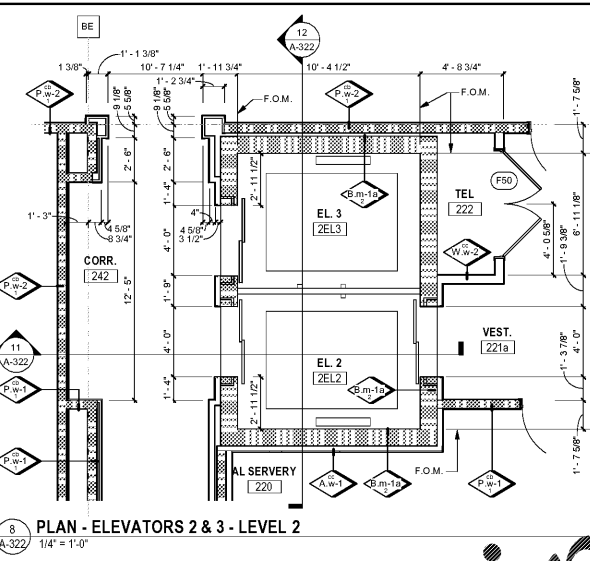
© 2019 BCT Architects LLC 17-220



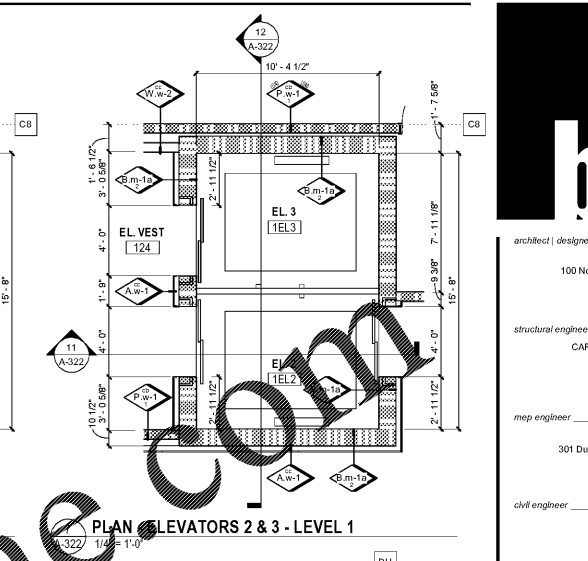
10 PLAN - ELEVATORS 2 & 3 - LEVEL 4
 1/4" = 1'-0"



9 PLAN - ELEVATORS 2 & 3 - LEVEL 3
 1/4" = 1'-0"

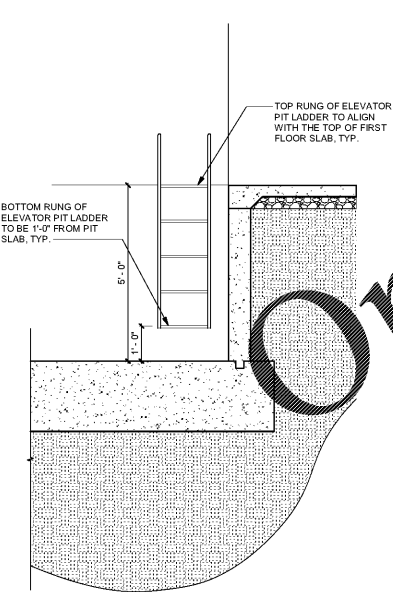


8 PLAN - ELEVATORS 2 & 3 - LEVEL 2
 1/4" = 1'-0"

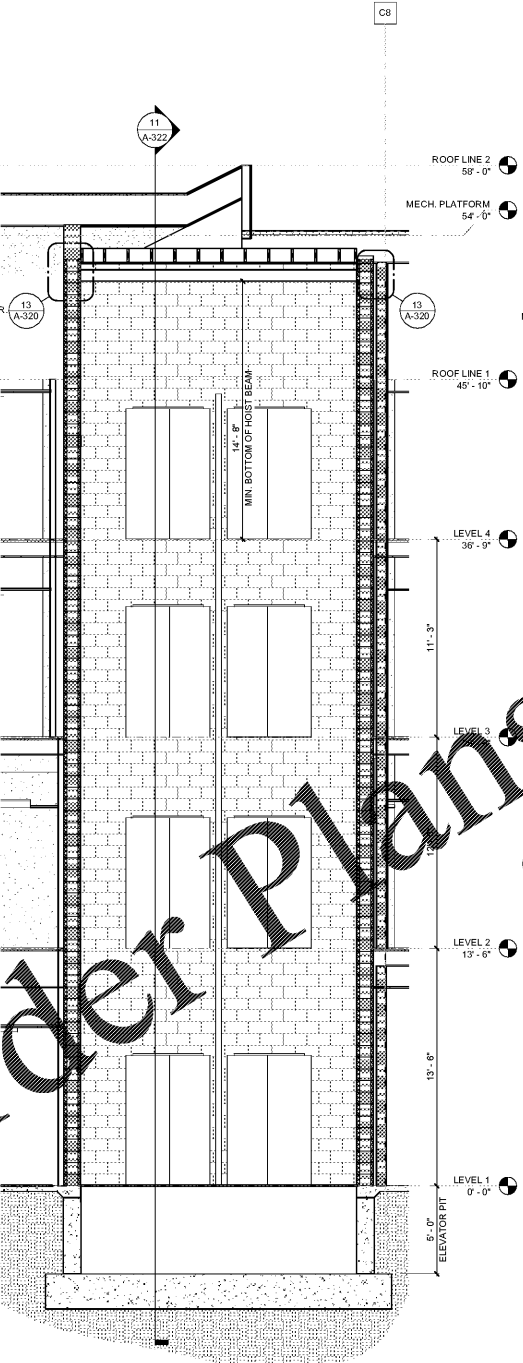


7 PLAN - ELEVATORS 2 & 3 - LEVEL 1
 1/4" = 1'-0"

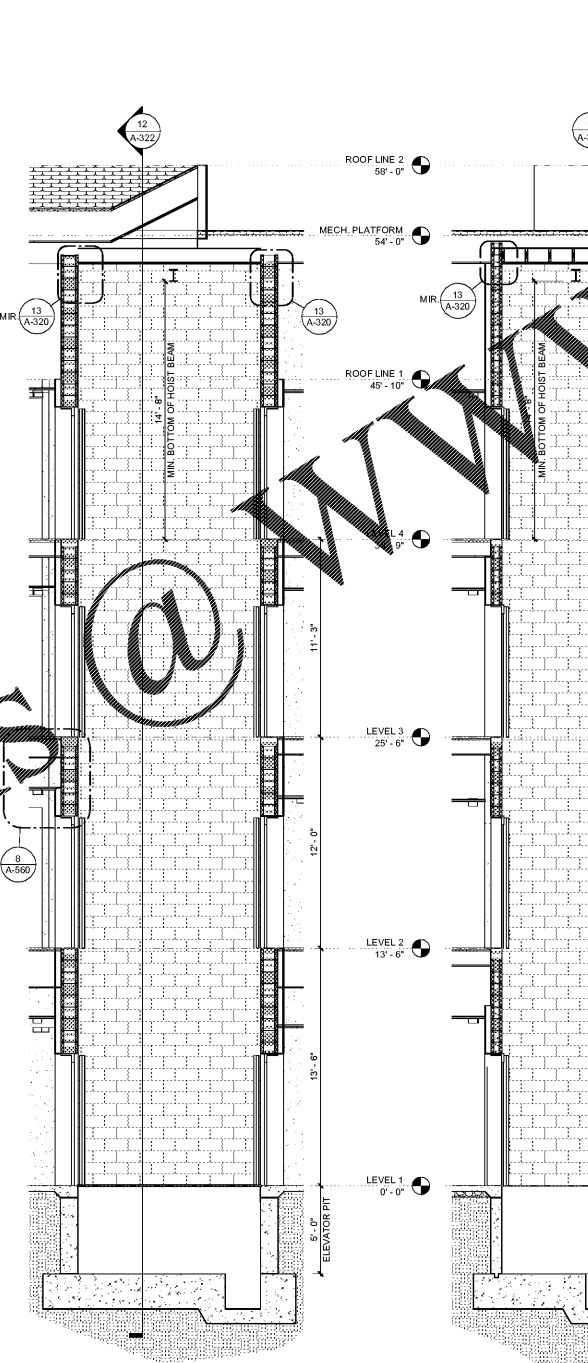
14 ELEVATOR PIT - TYPICAL LADDER PLAN DETAIL
 1/2" = 1'-0"



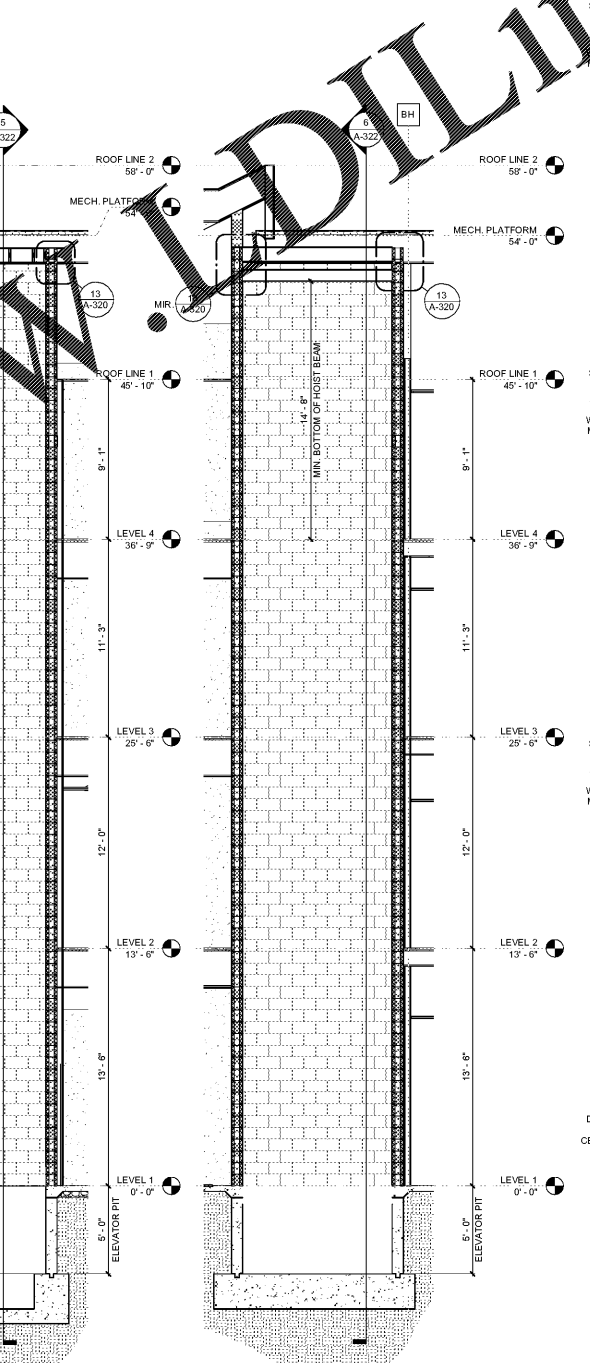
13 ELEVATOR PIT - TYPICAL LADDER DETAIL
 1/2" = 1'-0"



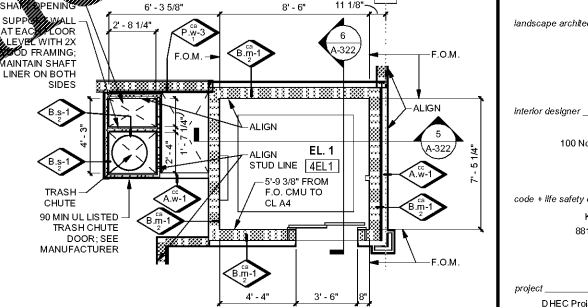
12 SECTION - ELEVATORS 2 & 3
 1/4" = 1'-0"



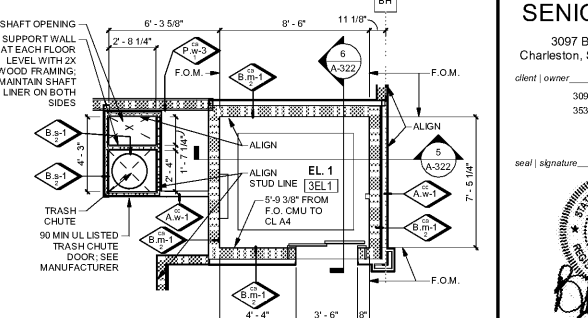
11 SECTION - ELEVATOR 3
 1/4" = 1'-0"



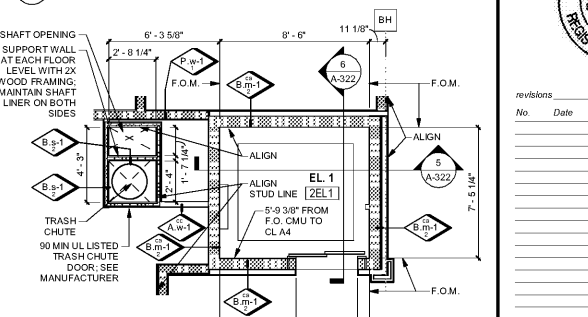
6 SECTION - ELEVATOR 1 - THRU DOOR
 1/4" = 1'-0"



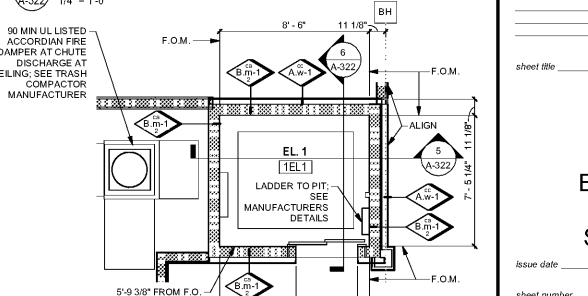
4 PLAN - ELEVATOR 1 - LEVEL 4
 1/4" = 1'-0"



3 PLAN - ELEVATOR 1 - LEVEL 3
 1/4" = 1'-0"



2 PLAN - ELEVATOR 1 - LEVEL 2
 1/4" = 1'-0"



1 PLAN - ELEVATOR 1 - LEVEL 1
 1/4" = 1'-0"